

Text Comparison

Documents Compared

en_301681v010302p.pdf

en_301681v010401p.pdf

Summary

4891 word(s) added

3115 word(s) deleted

12960 word(s) matched

119 block(s) matched

To see where the changes are, please scroll down.

~~ETSI EN 301 681 V1.3.2 (2003-01)~~

~~Candidate Harmonized European Standard (Telecommunications series)~~

**Satellite Earth Stations and Systems (SES);
Harmonized EN for Mobile Earth Stations (MESs) of
Geostationary mobile satellite systems, including handheld
earth stations, for Satellite Personal Communications
Networks (S-PCN) in the 1,5/1,6 GHz bands under the Mobile
Satellite Service (MSS) covering essential requirements
~~under~~ article 3.2 of the R&TTE Directive**



ETSI EN 301 681 V1 4 1 (2011-11)



Harmonized European Standard

**Satellite Earth Stations and Systems (SES);
Harmonized EN for Mobile Earth Stations (MESs) of
Geostationary mobile satellite systems, including handheld
earth stations, for Satellite Personal Communications
Networks (S-PCN) in the 1,5/1,6 GHz bands under the Mobile
Satellite Service (MSS) covering the essential requirements
of article 3.2 of the R&TTE Directive**

Reference~~REN/GE0-00070~~

Keywords~~earthstation, MEG, mobile, MCG, multimode,
radio, G-PCN, satellite, service~~**ETSI**

650 Route des Lucioles
F-06921 Sophia Antipolis Cedex - FRANCE

Tel.: +33 4 92 94 42 00 Fax: +33 4 93 65 47 16

Siret N° 348 623 562 00017 - NAF 742 C
Association à but non lucratif enregistrée à la
Sous-Préfecture de Grasse (06) N° 7803/88

Important notice

Individual copies of the present document can be downloaded from:

<http://www.etsi.org>

The present document may be made available in more than one electronic version or in print. In any case of existing or perceived difference in contents between such versions, the reference version is the Portable Document Format (PDF). In case of dispute, the reference shall be the printing on ETSI printers of the PDF version kept on a specific network drive within ETSI Secretariat.

Users of the present document should be aware that the document may be subject to revision or change of status. Information on the current status of this and other ETSI documents is available at

<http://portal.etsi.org/tb/status/status.asp>

If you find errors in the present document, send your comment to:

editor@etsi.org

Copyright Notification

No part may be reproduced except as authorized by written permission.
The copyright and the foregoing restriction extend to reproduction in all media.

© European Telecommunications Standards Institute ~~2003~~
All rights reserved.

~~DECT™, PLUGTESTS™ and UMTS™ are Trade Marks of ETSI registered for the benefit of its Members.
TIPHON™ and the TIPHON logo are Trade Marks currently being registered by ETSI for the benefit of its Members.
3GPP™ is a Trade Mark of ETSI registered for the benefit of its Members and of the 3GPP Organizational Partners.~~

Reference

REN/SES-00320Keywords

earth station, MES, mobile, MSS, radio, satellite,
S-PCN**ETSI**

650 Route des Lucioles
F-06921 Sophia Antipolis Cedex - FRANCE

Tel.: +33 4 92 94 42 00 Fax: +33 4 93 65 47 16

Siret N° 348 623 562 00017 - NAF 742 C
Association à but non lucratif enregistrée à la
Sous-Préfecture de Grasse (06) N° 7803/88

Important notice

Individual copies of the present document can be downloaded from:

<http://www.etsi.org>

The present document may be made available in more than one electronic version or in print. In any case of existing or perceived difference in contents between such versions, the reference version is the Portable Document Format (PDF). In case of dispute, the reference shall be the printing on ETSI printers of the PDF version kept on a specific network drive within ETSI Secretariat.

Users of the present document should be aware that the document may be subject to revision or change of status.

Information on the current status of this and other ETSI documents is available at

<http://portal.etsi.org/tb/status/status.asp>

If you find errors in the present document, please send your comment to one of the following services:

http://portal.etsi.org/chaicor/ETSI_support.asp

Copyright Notification

No part may be reproduced except as authorized by written permission.
The copyright and the foregoing restriction extend to reproduction in all media.

© European Telecommunications Standards Institute 2011
All rights reserved.

DECT™, **PLUGTESTS™**, **UMTS™** and the **ETSI logo** are Trade Marks of ETSI registered for the benefit of its Members.
3GPP™ and **LTE™** are Trade Marks of ETSI registered for the benefit of its Members and
of the 3GPP Organizational Partners.
GSM® and the **GSM logo** are Trade Marks registered and owned by the **GSM Association**.

Contents

Intellectual Property Rights	5
Foreword	5
Introduction	6
1 Scope	8
2 References	8
3 Definitions and abbreviations	9
3.1 Definitions	9
3.2 Abbreviations	10
4 Technical requirement specifications	11
4.1 Environment profile	11
4.2 Conformance requirements	11
4.2.1 Unwanted emissions outside the band 1 626,5 MHz to 1 660,5 MHz (carrier-on state)	11
4.2.1.1 Justification	11
4.2.1.2 Technical requirements	12
4.2.1.3 Conformance test	13
4.2.2 Unwanted emissions within the bands 1 626,5 MHz to 1 660,5 MHz and 1 660,5 MHz to 1 662,5 MHz (carrier-on state)	13
4.2.2.1 Justification	13
4.2.2.2 Technical requirements	13
4.2.2.3 Conformance test	14
4.2.3 Unwanted emissions in carrier-off state	14
4.2.3.1 Justification	14
4.2.3.2 Technical requirements	15
4.2.3.3 Conformance test	15
4.2.4 MES Control and Monitoring Functions (CMF)	15
4.2.4.1 Self-monitoring functions/Processor monitoring	15
4.2.4.1.1 Justification	15
4.2.4.1.2 Technical requirements	15
4.2.4.1.3 Conformance test	15
4.2.4.2 Self-monitoring functions/Transmit frequency generation sub-system monitoring	16
4.2.4.2.1 Justification	16
4.2.4.2.2 Technical requirements	16
4.2.4.2.3 Conformance test	16
4.2.4.3 Network control authorization	16
4.2.4.3.1 Justification	16
4.2.4.3.2 Technical requirements	16
4.2.4.3.3 Conformance test	16
4.2.4.4 Network control reception	16
4.2.4.4.1 Transmission disable/enable	16
4.2.4.4.2 Transmit frequency control	17
4.2.4.5 Fellow radio stations in a dual-mode or multimode terminal	17
4.2.4.5.1 Justification	17
4.2.4.5.2 Technical requirements	17
4.2.4.5.3 Conformance test	17
4.2.5 Equipment identity	18
4.2.5.1 Justification	18
4.2.5.2 Technical requirements	18
4.2.5.3 Conformance test	18
4.2.6 Protection of the radio astronomy service operation in the band 1 660 MHz to 1 660,5 MHz	18
4.2.6.1 Purpose	18
4.2.6.2 Technical requirements	18
4.2.6.3 Conformance test	18
5 Testing for compliance with technical requirements	18

Contents

Intellectual Property Rights	6
Foreword	6
Introduction	6
1 Scope	8
2 References	8
2.1 Normative references	9
2.2 Informative references	9
3 Definitions and abbreviations	9
3.1 Definitions	9
3.2 Abbreviations	11
4 Technical requirement specifications	11
4.1 Environment profile	11
4.2 Conformance requirements	12
4.2.1 Unwanted emissions outside the band 1 626,5 MHz to 1 660,5 MHz and outside the band 1 668,0 MHz to 1 675,0 MHz (carrier-on state)	12
4.2.1.1 Justification	12
4.2.1.2 Technical requirements	12
4.2.1.3 Conformance test	15
4.2.2 Unwanted emissions within the bands 1 626,5 MHz to 1 660,5 MHz and 1 660,5 MHz to 1 662,5 MHz and within the bands 1 666,0 MHz to 1 668,0 MHz, 1 668,0 MHz to 1 675,0 MHz and 1 675,0 MHz to 1 677,0 MHz (carrier-on state)	15
4.2.2.1 Justification	15
4.2.2.2 Technical requirements	16
4.2.2.3 Conformance test	17
4.2.3 Unwanted emissions in carrier-off state	17
4.2.3.1 Justification	17
4.2.3.2 Technical requirements	18
4.2.3.3 Conformance test	18
4.2.4 MES Control and Monitoring Functions (CMF)	18
4.2.4.1 Self-monitoring functions/Processor monitoring	18
4.2.4.1.1 Justification	18
4.2.4.1.2 Technical requirements	18
4.2.4.1.3 Conformance test	18
4.2.4.2 Self-monitoring functions/Transmit frequency generation sub-system monitoring	19
4.2.4.2.1 Justification	19
4.2.4.2.2 Technical requirements	19
4.2.4.2.3 Conformance test	19
4.2.4.3 Network control authorization	19
4.2.4.3.1 Justification	19
4.2.4.3.2 Technical requirements	19
4.2.4.3.3 Conformance test	19
4.2.4.4 Network control reception	19
4.2.4.4.1 Transmission disable/enable	19
4.2.4.4.2 Transmit frequency control	20
4.2.4.5 Fellow radio stations in a dual-mode or multimode terminal	20
4.2.4.5.1 Justification	20
4.2.4.5.2 Technical requirements	20
4.2.4.5.3 Conformance test	20
4.2.5 Equipment identity	21
4.2.5.1 Justification	21
4.2.5.2 Technical requirements	21
4.2.5.3 Conformance test	21

5.1	Environmental conditions for testing	18
5.2	Essential radio test suites	19
5.2.1	General	19
5.2.1.1	Description of equipment	19
5.2.1.2	Testing of host-connected equipment and plug-in modules	20
5.2.1.2.1	Alternative approaches	20
5.2.1.2.2	Alternative A: combined equipment	20
5.2.1.2.3	Alternative B: use of a test jig	20
5.2.1.3	CMF/Special Test Equipment (STE)	20
5.2.1.4	General test requirements	20
5.2.1.4.1	MES test modes	20
5.2.1.4.2	Special Test Equipment (STE)	21
5.2.1.4.3	Laboratory Test Equipment (LTE)	22
5.2.1.4.4	Methods of test for MES RF emissions according to the equipment type	22
5.2.1.4.5	Procedures for measurement of radiated emissions	22
5.2.1.4.6	Procedures for measurement of conducted emissions	27
5.2.1.4.7	Interpretation of the measurement results	29
5.2.1.4.8	Test report	29
5.2.2	Unwanted emissions outside the band 1 626,5 MHz to 1 660,5 MHz (carrier-on state)	29
5.2.2.1	Method of test	29
5.2.2.2	Peak measurement	30
5.2.2.3	Average measurement	30
5.2.2.4	Test requirements	31
5.2.3	Unwanted emissions within the band 1 626,5 MHz to 1 660,5 MHz and the band 1 624,5 MHz to 1 626,5 MHz and 1 660,5 MHz to 1 662,5 MHz (carrier-on state)	31
5.2.3.1	Method of test	31
5.2.3.2	Measurement method	31
5.2.3.3	Test requirements	32
5.2.4	Unwanted emissions in carrier off state	32
5.2.4.1	Method of test	32
5.2.4.2	Measurement method	32
5.2.4.3	Test requirements	33
5.2.5	MES Control and Monitoring Functions (CMF)	33
5.2.5.1	Self-monitoring functions/Processor monitoring	33
5.2.5.2	Self-monitoring functions/Transmit frequency generation sub-system monitoring	33
5.2.5.3	Network control authorization	33
5.2.5.3.1	Method of test	33
5.2.5.3.2	Test procedure	33
5.2.5.3.3	Test requirements	34
5.2.5.4	Network control reception	34
5.2.5.4.1	Transmission disable/enable	34
5.2.5.4.2	Transmit frequency control	35
5.2.5.5	Fellow radio stations in a dual-mode or multimode terminal	36
5.2.5.5.1	Method of test	36
5.2.5.5.2	Test procedure	36
5.2.5.5.3	Test requirements	36
5.2.6	Equipment identity	36
5.2.6.1	Method of test	36
5.2.6.2	Test procedure	36
5.2.6.3	Test requirements	36
Annex A (normative):	The EN Requirements Table (EN-RT)	37
Annex B (informative):	Bibliography	39
Annex C (informative):	The EN title in the official languages	40
History	41

4.2.6	Protection of the radio astronomy service operation in the band 1 660 MHz to 1 660,5 MHz and in the band 1 668,0 MHz to 1 670,0 MHz	21
4.2.6.1	Purpose	21
4.2.6.2	Technical requirements	21
4.2.6.3	Conformance test	21
5	Testing for compliance with technical requirements	21
5.1	Environmental conditions for testing	21
5.2	Essential radio test suites	22
5.2.1	General	22
5.2.1.1	Description of equipment	22
5.2.1.2	Testing of host-connected equipment and plug-in modules	23
5.2.1.2.1	Alternative approaches	23
5.2.1.2.2	Alternative A: combined equipment	23
5.2.1.2.3	Alternative B: use of a test jig	23
5.2.1.3	CMF/Special Test Equipment (STE)	23
5.2.1.4	General test requirements	23
5.2.1.4.1	MES test modes	23
5.2.1.4.2	Special Test Equipment (STE)	24
5.2.1.4.3	Laboratory Test Equipment (LTE)	25
5.2.1.4.4	Methods of test for MES RF emissions according to the equipment type	25
5.2.1.4.5	Procedures for measurement of radiated emissions	25
5.2.1.4.6	Procedures for measurement of conducted emissions	30
5.2.1.4.7	Interpretation of the measurement results	32
5.2.1.4.8	Test report	32
5.2.2	Unwanted emissions outside the band 1 626,5 MHz to 1 660,5 MHz and outside the band 1 668,0 MHz to 1 675,0 MHz (carrier-on state)	32
5.2.2.1	Method of test	32
5.2.2.2	Peak measurement	33
5.2.2.3	Average measurement	33
5.2.2.4	Test requirements	34
5.2.3	Unwanted emissions within the band 1 626,5 MHz to 1 660,5 MHz and the band 1 624,5 MHz to 1 626,5 MHz and 1 660,5 MHz to 1 662,5 MHz and within the band 1 668,0 MHz to 1 675,0 MHz and the band 1 666,0 MHz to 1 668,0 MHz and 1 675,0 MHz to 1 677,0 MHz (carrier-on state)	34
5.2.3.1	Method of test	34
5.2.3.2	Measurement method	35
5.2.3.3	Test requirements	35
5.2.4	Unwanted emissions in carrier-off state	35
5.2.4.1	Method of test	35
5.2.4.2	Measurement method	36
5.2.4.3	Test requirements	36
5.2.5	MES Control and Monitoring Functions (CMF)	36
5.2.5.1	Self-monitoring functions/Processor monitoring	36
5.2.5.2	Self-monitoring functions/Transmit frequency generation sub-system monitoring	36
5.2.5.3	Network control authorization	36
5.2.5.3.1	Method of test	36
5.2.5.3.2	Test procedure	37
5.2.5.3.3	Test requirements	37
5.2.5.4	Network control reception	37
5.2.5.4.1	Transmission disable/enable	37
5.2.5.4.2	Transmit frequency control	38
5.2.5.5	Fellow radio stations in a dual-mode or multimode terminal	39
5.2.5.5.1	Method of test	39
5.2.5.5.2	Test procedure	39
5.2.5.5.3	Test requirements	39
5.2.6	Equipment identity	39
5.2.6.1	Method of test	39
5.2.6.2	Test procedure	40
5.2.6.3	Test requirements	40
Annex A (normative):	HS Requirements and conformance Test specifications Table (HS-RTT)	41

Intellectual Property Rights

IPRs essential or potentially essential to the present document may have been declared to ETSI. The information pertaining to these essential IPRs, if any, is publicly available for **ETSI members and non-members**, and can be found in ETSI SR 000 314: *"Intellectual Property Rights (IPRs); Essential, or potentially Essential, IPRs notified to ETSI in respect of ETSI standards"*, which is available from the ETSI Secretariat. Latest updates are available on the ETSI Web server (<http://webapp.etsi.org/IPR/home.asp>).

Pursuant to the ETSI IPR Policy, no investigation, including IPR searches, has been carried out by ETSI. No guarantee can be given as to the existence of other IPRs not referenced in ETSI SR 000 314 (or the updates on the ETSI Web server) which are, or may be, or may become, essential to the present document.

Foreword

This ~~Candidate~~ Harmonized European Standard (~~Telecommunications series~~) has been produced by ETSI Technical Committee Satellite Earth Stations and Systems (SES).

The present document has been produced by ETSI in response to a mandate from the European Commission issued under Council Directive 98/34/EC [7] (as ~~amended~~) ~~laying down a procedure for the provision of information in the field of technical standards and regulations.~~

~~The present document is intended to become a Harmonized Standard, the reference of which will be published in the Official Journal of the European Communities referencing the Directive 1999/5/EC of the European Parliament and of the Council of 9 March 1999 on radio equipment and telecommunications terminal equipment and the mutual recognition of their conformity ("the R&TTE Directive") [1].~~

~~Technical specifications~~ relevant to Directive 1999/5/EC [1] are ~~given~~ in annex A.

National transposition dates

Date of adoption of this EN:	20 December 2002
Date of latest announcement of this EN (doa):	31 March 2003
Date of latest publication of new National Standard or endorsement of this EN (dop/e):	30 September 2003
Date of withdrawal of any conflicting National Standard (dow):	31 March 2006

<u>Annex B (informative):</u>	The EN title in the official languages	<u>44</u>
<u>Annex C (informative):</u>	<u>Bibliography</u>	<u>45</u>
<u>History</u>		<u>46</u>

Introduction

ETSI has designed a modular structure for the standards. Each standard is a module in the structure. The modular structure is shown in figure 1.

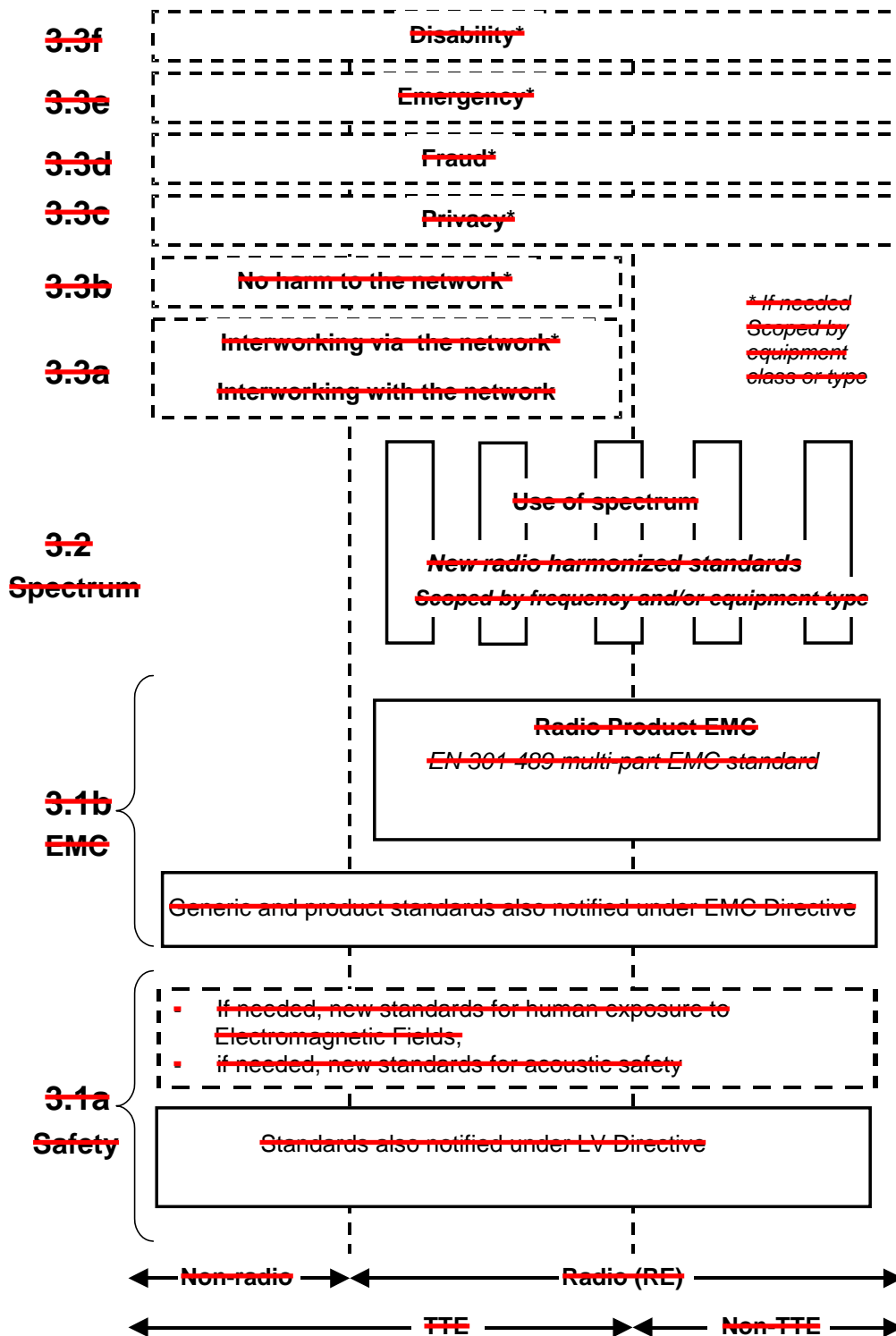


Figure 1: Modular structure for the various standards used under the R&TTE Directive

Intellectual Property Rights

IPRs essential or potentially essential to the present document may have been declared to ETSI. The information pertaining to these essential IPRs, if any, is publicly available for **ETSI members and non-members**, and can be found in ETSI SR 000 314: *"Intellectual Property Rights (IPRs); Essential, or potentially Essential, IPRs notified to ETSI in respect of ETSI standards"*, which is available from the ETSI Secretariat. Latest updates are available on the ETSI Web server (<http://ipr.etsi.org>).

Pursuant to the ETSI IPR Policy, no investigation, including IPR searches, has been carried out by ETSI. No guarantee can be given as to the existence of other IPRs not referenced in ETSI SR 000 314 (or the updates on the ETSI Web server) which are, or may be, or may become, essential to the present document.

Foreword

This Harmonized European Standard (EN) has been produced by ETSI Technical Committee Satellite Earth Stations and Systems (SES).

The present document has been produced by ETSI in response to a mandate from the European Commission issued under Directive 98/34/EC [7] as amended by Directive 98/48/EC [8].

The title and reference to the present document are intended to be included in the publication in the Official Journal of the European Union of titles and references of Harmonized Standard under the Directive 1999/5/EC [1]

See article 5.1 of Directive 1999/5/EC [1] for information on presumption of conformity and Harmonised Standards or parts thereof the references of which have been published in the Official Journal of the European Union.

The requirements relevant to Directive 1999/5/EC [1] are summarised in annex A.

National transposition dates	
Date of adoption of this EN:	<u>18 November 2011</u>
Date of latest announcement of this EN (doa):	<u>29 February 2012</u>
Date of latest publication of new National Standard or endorsement of this EN (dop/e):	<u>31 August 2012</u>
Date of withdrawal of any conflicting National Standard (dow):	31 <u>August 2013</u>

Introduction

The present document is part of a set of standards developed by ETSI and is designed to fit in a modular structure to cover all radio and telecommunications terminal equipment within the scope of the R&TTE Directive [1]. The modular structure is shown in EG 201 399 [i 1]. The determination of the parameters of the user earth stations using a given satellite for the protection of the spectrum allocated to that satellite, is considered to be under the responsibility of the satellite operator or the satellite network operators.

The present document specifies new emission requirements for MESs that are capable of transmitting in the frequency band from 1 668,0 MHz to 1 675,0 MHz. Following the WRC-03 decision to allocate to MSS the bands 1 518 MHz to 1 525 MHz (space to Earth) and 1 668 MHz to 1 675 MHz (Earth to space) and the conclusions of WRC-07, the present document specifies the necessary requirements to harmonise the use of these extended frequency bands by MESs.

The present document treats the two parts of the L-band frequency allocation (as extended) as two sub-bands which may be used separately or in any combination. The original L-band allocation is referenced in the present document as "sub-band 1" and the extended L-band is referenced as "sub-band 2".

The left hand edge of the figure 1 shows the different clauses of article 3 of the R&TTE Directive [1].

For article 3.3 various horizontal boxes are shown. Dotted lines indicate that at the time of publication of the present document essential requirements in these areas have to be adopted by the Commission. If such essential requirements are adopted, and as far and as long as they are applicable, they will justify individual standards whose scope is likely to be specified by function or interface type.

The vertical boxes show the standards under article 3.2 for the use of the radio spectrum by radio equipment. The scopes of these standards are specified either by frequency (normally in the case where frequency bands are harmonized) or by radio equipment type.

For article 3.1b the diagram shows EN 301 489, the multi-part product EMC standard for radio used under the EMC Directive [2].

For article 3.1a the diagram shows the existing safety standards currently used under the LV Directive [3] and new standards covering human exposure to electromagnetic fields. New standards covering acoustic safety may also be required.

The bottom of the figure shows the relationship of the standards to radio equipment and telecommunications terminal equipment. A particular equipment may be radio equipment, telecommunications terminal equipment or both. A radio spectrum standard will apply if it is radio equipment. An article 3.3 standard will apply as well only if the relevant essential requirement under the R&TTE Directive [1] is adopted by the Commission and if the equipment in question is covered by the scope of the corresponding standard. Thus, depending on the nature of the equipment, the essential requirements under the R&TTE Directive [1] may be covered in a set of standards.

The modularity principle has been taken because:

- it minimizes the number of standards needed. Because equipment may, in fact, have multiple interfaces and functions it is not practicable to produce a single standard for each possible combination of functions that may occur in an equipment,
- it provides scope for standards to be added:
 - under article 3.2 when new frequency bands are agreed, or
 - under article 3.3 should the Commission take the necessary decisions, without requiring alteration of standards that are already published,
- it clarifies, simplifies and promotes the usage of Harmonized Standards as the relevant means of conformity assessment.

The technical requirements in the present document are applied under article 3.2 of the R&TTE Directive, concerning the effective uses of the spectrum allocated to terrestrial/space radio communication and orbital resources so as to avoid harmful interference. These requirements are in two major categories:

emissions limits: to protect other radio services from harmful interference generated by the MES in normal use;

MES Control and Monitoring Functions (CMF): to protect other radio services from unwanted transmissions from the MES. The CMF in each MES is capable of answering to commands from the Network Control Facilities (NCF) for its S-PCN.

NOTE: The requirements for Network Control Facilities (NCF) for S-PCN are contained in EN 301 682 [6].

The determination of the parameters of the user earth stations using a given satellite for the protection of the spectrum allocated to that satellite, is considered to be under the responsibility of the satellite operator or the satellite network operators.

A new table (table 3a) is added to the present document for MESs that are capable of transmitting in any combination of either or both of these sub-bands. The new table 3a is recommended for all new MESs, including MESs that can only operate in sub-band 1.

The applicant may choose between table 3 and table 3a for new MESs that are capable of transmitting in only the sub-band 1: the applicant has to declare which alternative is used.

The technical requirements in the present document are applied under article 3.2 of the R&TTE Directive [1], concerning the effective uses of the spectrum allocated to terrestrial/space radio communication and orbital resources so as to avoid harmful interference. These requirements are in two major categories:

- **emissions limits:** to protect other radio services from harmful interference generated by the MES in normal use;
- **MES Control and Monitoring Functions (CMF):** to protect other radio services from unwanted transmissions from the MES. The CMF in each MES is capable of answering to commands from the Network Control Facilities (NCF) for its S-PCN.

NOTE: The requirements for Network Control Facilities (NCF) for S-PCN are contained in EN 301 682 [i 2].

The determination of the parameters of the user earth stations using a given satellite for the protection of the spectrum allocated to that satellite, is considered to be under the responsibility of the satellite operator or the satellite network operators.

Figure 1: Void

1 Scope

The present document applies to S-PCN MES for Geostationary mobile satellite systems with an EIRP less than or equal to 15 dBW.

The present document sets out the minimum performance requirements and technical characteristics of Mobile Earth Stations (MES) with both transmit and receive capabilities for operation in a Satellite Personal Communication Network (S-PCN) in ~~the Mobile Satellite Service (MSS) frequency band given~~ in table 1.

Table 1: Mobile Satellite Service (MSS) frequency band

Transmission path	MSS frequency band
MESs transmit	1 626,5 MHz to 1 660,5 MHz
MESs receive	1 525 MHz to 1 559 MHz

An S-PCN MES may be handheld, portable, vehicle-mounted, host connected, semi-fixed or fixed equipment, or may be an element in a multimode terminal; it may consist of a number of modules with associated connections and user interface, or may be a self contained single unit.

If the MES is an element in a multimode terminal, unless otherwise stated in the present document, its requirements apply only to the S-PCN MES element of the terminal operating in the MSS frequency band given in table 1.

The present document is intended to cover the provisions of Directive 1999/5/EC [1] (R&TTE Directive) article 3.2 which states that "...radio equipment shall be so constructed that it effectively uses the spectrum allocated to terrestrial/space radio communications and orbital resources so as to avoid harmful interference".

In addition to the present document, other ENs that specify technical requirements in respect of essential requirements under other parts of article 3 of the R&TTE Directive [1] may apply to equipment within the scope of the present document.

NOTE 1: A list of such ENs is included on the web site <http://www.newapproach.org/>.

NOTE 2: These MESs are controlled and monitored by a Network Control Facility (NCF). The NCF is outside the scope of the present document.

2 References

~~The following documents contain provisions which, through reference in this text, constitute provisions of the present document.~~

- References are either specific (identified by date of publication and/or edition number or version number) or non-specific.
- ~~For a specific reference, subsequent revisions do not apply.~~
- ~~For a non-specific reference, the latest version applies.~~

- [1] Directive 1999/5/EC of the European Parliament and of the Council of 9 March 1999 on radio equipment and telecommunications terminal equipment and the mutual recognition of their conformity (R&TTE Directive).
- [2] ~~Council Directive 89/336/EEC of 3 May 1989 on the approximation of the laws of the Member States relating to electromagnetic compatibility (EMC Directive).~~
- [3] ~~Council Directive 73/23/EEC of 19 February 1973 on the harmonization of the laws of Member States relating to electrical equipment designed for use within certain voltage limits (LV Directive).~~
- [4] ITU-T Recommendation O.153 (1992): "Basic parameters for the measurement of error performance at bit rates below the primary rate".

1 Scope

The present document applies to S-PCN MES for Geostationary mobile satellite systems with an EIRP less than or equal to 15 dBW.

The present document sets out the minimum performance requirements and technical characteristics of Mobile Earth Stations (MES) with both transmit and receive capabilities for operation in a Satellite Personal Communication Network (S-PCN) in any combination of all or any part of the Mobile Satellite Service (MSS) frequency bands sub-band 1 and sub-band 2 defined in table 1.

Table 1: Mobile Satellite Service (MSS) frequency band

Sub-band	Transmission path	MSS frequency band
1	<u>MESs transmit 1</u>	1 626,5 MHz to 1 660,5 MHz
	MESs receive 1	<u>1 525 MHz to 1 559 MHz</u>
2	<u>MESs transmit 2</u>	<u>1 668,0 MHz to 1 675,0 MHz</u>
	<u>MESs receive 2</u>	<u>1 518,0 MHz to 1 525,0 MHz</u>

An S-PCN MES may be handheld, portable, vehicle-mounted, host connected, semi-fixed or fixed equipment, or may be an element in a multimode terminal; it may consist of a number of modules with associated connections and user interface, or may be a self contained single unit.

If the MES is an element in a multimode terminal, unless otherwise stated in the present document, its requirements apply only to the S-PCN MES element of the terminal operating in the MSS frequency band given in table 1.

The present document is intended to cover the provisions of Directive 1999/5/EC [1] (R&TTE Directive) article 3.2 which states that "...radio equipment shall be so constructed that it effectively uses the spectrum allocated to terrestrial/space radio communications and orbital resources so as to avoid harmful interference".

In addition to the present document, other ENs that specify technical requirements in respect of essential requirements under other parts of article 3 of the R&TTE Directive [1] may apply to equipment within the scope of the present document.

NOTE 1: A list of such ENs is included on the web site <http://www.newapproach.org>.

NOTE 2: These MESs are controlled and monitored by a Network Control Facility (NCF). The NCF is outside the scope of the present document.

2 References

References are either specific (identified by date of publication and/or edition number or version number) or non-specific. For specific references, only the cited version applies. For non-specific references, the latest version of the reference document (including any amendments) applies.

Referenced documents which are not found to be publicly available in the expected location might be found at <http://docbox.etsi.org/Reference>.

NOTE: While any hyperlinks included in this clause were valid at the time of publication ETSI cannot guarantee their long term validity.

- [5] ~~CISPR 16-1 Second edition: "Specification for radio disturbance and immunity measuring apparatus and methods - Part 1. Radio disturbance and immunity measuring apparatus" (annex G: Validation of the open area test site for the frequency range of 30 MHz to 1 000 MHz).~~
- [6] ETSI EN 301 682: "Satellite Personal Communications Networks (S-PCN); Network Control Facilities (NCF) for Mobile Earth Stations (MESs), including handheld earth stations, for S-PCN in the 1,5/1,6 GHz bands, providing voice and/or data communications under the Mobile Satellite Service (MSS)".
- [7] Directive 98/34/EC of the European Parliament and of the Council of 22 June 1998 laying down a procedure for the provision of information in the field of technical standards and regulations.

3 Definitions and abbreviations

3.1 Definitions

For the ~~purpose~~ of the present document, the terms and definitions given in the R&TTE Directive [1], ~~and the following apply:~~

applicant: manufacturer or his authorized representative within the European Community or the person responsible for placing the apparatus on the market

carrier-on time (initial bursts): period when an MES is transmitting a signal

NOTE: For MESs that transmit in a non-continuous mode, the carrier-on time only includes the times when the MES is transmitting a signal.

~~**carrier-on state:** MES is in this state when it is authorized by the NCF to transmit and when it transmits a signal.~~

~~**carrier-off state:** MES is in this state when either it is authorized by the Network Control Facility (NCF) to transmit but when it does not transmit any signal, or when it is not authorized by the NCF to transmit.~~

conducted measurement: measurement of emissions from an antenna port of the MES made by direct wired connection to the port

environmental profile: range of environmental conditions under which equipment within the scope of the present document is required to comply with the provisions of the present document

Equivalent Isotropically Radiated Power (EIRP): product of transmitter power and the antenna gain in the direction considered, relative to an isotropic source radiating uniformly in all directions

fellow radio station: one of the (other) modes of a multimode MES

handheld: indicates an MES which is self-contained and is small enough and light enough to be carried and used during a call with one hand

host-connected: indicates an MES for which connection to or integration with host equipment is necessary to offer functionality

host equipment: any equipment which has a complete user functionality when not connected to the MES, and to which the MES provides additional functionality, and to which connection is necessary for the MES to offer functionality

~~**Installable Equipment (IE), Internally Mounted Equipment (IME) and Externally Mounted Equipment (EME):** Installable Equipment (IE) is an equipment which is intended to be installed in a vehicle. An IE may consist of one or several interconnected modules. The IE is composed of modules intended to be externally mounted as declared by the applicant, and defined as Externally Mounted Equipment (EME) and the remaining modules(s) as Internally Mounted Equipment (IME).~~

Laboratory Test Equipment (LTE): logical grouping that contains the standard test equipment provided by a test laboratory

MSS band: continuous range of frequencies allocated by the ITU to the MSS

2.1 Normative references

The following referenced documents are necessary for the application of the present document

- [1] Directive 1999/5/EC of the European Parliament and of the Council of 9 March 1999 on radio equipment and telecommunications terminal equipment and the mutual recognition of their conformity (R&TTE Directive).
- [2] Void
- [3] Void
- [4] ITU-T Recommendation O.153 (1992): "Basic parameters for the measurement of error performance at bit rates below the primary rate".
- [5] CISPR 16-1-4 (2010): "Specification for radio disturbance and immunity measuring apparatus and methods - Part 1-4: Radio disturbance and immunity measuring apparatus- Antennas and test sites for radiated disturbance measurements"
- [6] Void
- [7] Directive 98/34/EC of the European Parliament and of the Council of 22 June 1998 laying down a procedure for the provision of information in the field of technical standards and regulations.
- [8] Directive 98/48/EC of the European Parliament and of the Council of 20 July 1998 amending Directive 98/34/EC laying down a procedure for the provision of information in the field of technical standards and regulations.

2.2 Informative references

The following referenced documents are not necessary for the application of the present document but they assist the user with regard to a particular subject area

- [i.1] ETSI LEG 201 399: "Electromagnetic compatibility and Radio spectrum Matters (ERM): A guide to the production of Harmonized Standards for application under the R&TTE Directive"
- [i.2] ETSI EN 301 682: "Satellite Personal Communications Networks (S-PCN); Network Control Facilities (NCF) for Mobile Earth Stations (MESs), including handheld earth stations, for S-PCN in the 1,5/1,6 GHz bands, providing voice and/or data communications under the Mobile Satellite Service (MSS)".

3 Definitions and abbreviations

3.1 Definitions

For the purposes of the present document, the terms and definitions given in the R&TTE Directive [1] and the following apply:

3dB Bandwidth (B3dB): total width of the signal spectrum 3 dB below the maximum in-band density

applicant: manufacturer or his authorized representative within the European Community or the person responsible for placing the apparatus on the market

carrier-off state: MES is in this state when either it is authorized by the Network Control Facility (NCF) to transmit but when it does not transmit any signal, or when it is not authorized by the NCF to transmit

carrier-on state: MES is in this state when it is authorized by the NCF to transmit and when it transmits a signal

multimode: indicates equipment that accommodates radio stations of different radio networks

network control channel: channel by which an MES receives general control information from the NCF of its S-PCN

NCF control message: message, normally originating from a network, to a specified terminal or set of terminals of the network which indicates to the terminal or set of terminals that it/they should carry out some specific action or should enter or maintain some specific state

NOTE: For test purposes NCF control messages may originate from Special Test Equipment (STE).

nominated bandwidth (B_n): The nominated bandwidth of the MES radio frequency transmission is nominated by the applicant. The nominated bandwidth is wide enough to encompass all spectral elements of the transmission necessary for communication and which have a level greater than the specified unwanted emissions limits. The nominated bandwidth is wide enough to take account of the transmit carrier frequency stability. The nominated bandwidth is centred on the transmit frequency and does not exceed 180 % of the 3dB bandwidth of the signal. The nominated bandwidth is within the assigned part of the MSS transmit frequency band within which the MES operates.

3dB Bandwidth (B_{3dB}): total width of the signal spectrum 3 dB below the maximum in-band density

operational frequency range(s): sub-portion(s) of the band 1 626,5 MHz to 1 660,5 MHz in the earth-to-space direction to the MSS network, for which the equipment has been designed as declared by the applicant

Portable Equipment (PE): equipment generally intended to be self-contained, free standing and portable

NOTE: A PE would normally consist of a single module, but may consist of several interconnected modules.

radiated measurement: measurement of an actual radiated field

Special Test Equipment (STE): equipment which allows a test laboratory to control the MES so that the tests required by the present document can be performed

test laboratory: laboratory which performs the conformance testing of the MES against the present document

NOTE: The test laboratory may be the applicant's laboratory.

test load: substantially non-reactive, non-radiating power attenuator which is capable of safely dissipating the power from the transmitter(s)

transmission format: physical characteristics of the signal that is transmitted by an MES

NOTE: An MES may use more than one transmission format within a single S-PCN.

unwanted emissions: emissions falling outside the nominated bandwidth in the carrier-on state and those generated in the carrier-off state

3.2 Abbreviations

For the purposes of the present document, the following abbreviations apply:

B _{3dB}	3dB Bandwidth
B _n	Nominated Bandwidth
CDMA	Code Division Multiple Access
CMF	Control and Monitoring Functions
dBW	decibel relative to 1 Watt
EIRP	Equivalent Isotropically Radiated Power
EMC	Electro-Magnetic Compatibility
EME	Externally Mounted Equipment
IE	Installable Equipment
IEC	International Electrotechnical Commission/Committee
IME	Internally Mounted Equipment
ITU	International Telecommunications Union
LTE	Laboratory Test Equipment
LV	Low Voltage
MES	Mobile Earth Station

carrier-on time (initial bursts): period when an MES is transmitting a signal

NOTE: For MESs that transmit in a non-continuous mode, the carrier-on time only includes the times when the MES is transmitting a signal.

conducted measurement: measurement of emissions from an antenna port of the MES made by direct wired connection to the port

environmental profile: range of environmental conditions under which equipment within the scope of the present document is required to comply with the provisions of the present document

Equivalent Isotropically Radiated Power (EIRP): product of transmitter power and the antenna gain in the direction considered, relative to an isotropic source radiating uniformly in all directions

fellow radio station: one of the (other) modes of a multimode MES

handheld: indicates an MES which is self-contained and is small enough and light enough to be carried and used during a call with one hand

host-connected: indicates an MES for which connection to or integration with host equipment is necessary to offer functionality

host equipment: any equipment which has a complete user functionality when not connected to the MES, and to which the MES provides additional functionality, and to which connection is necessary for the MES to offer functionality

Installable Equipment (IE): equipment which is intended to be installed in a vehicle

NOTE: An IE may consist of one or several interconnected modules. The IE is composed of modules intended to be externally mounted as declared by the applicant, and defined as Externally Mounted Equipment (EME) and the remaining module(s) as Internally Mounted Equipment (IME).

Laboratory Test Equipment (LTE): logical grouping that contains the standard test equipment provided by a test laboratory

MSS band: continuous range of frequencies allocated by the ITU to the MSS

multimode: indicates equipment that accommodates radio stations of different radio networks

NCF control message: message, normally originating from a network, to a specified terminal or set of terminals of the network which indicates to the terminal or set of terminals that it/they should carry out some specific action or should enter or maintain some specific state

NOTE: For test purposes NCF control messages may originate from Special Test Equipment (STE).

network control channel: channel by which an MES receives general control information from the NCF of its S-PCN

nominated bandwidth (B_n): bandwidth of the MES radio frequency transmission that is nominated by the applicant and that is wide enough to encompass all spectral elements of the transmission necessary for communication and which have a level greater than the specified unwanted emissions limits; also the nominated bandwidth is centred on the transmit frequency and does not exceed 180 % of the 3-dB bandwidth of the signal and is within the assigned part of the MSS transmit frequency band within which the MES operates

NOTE: The nominated bandwidth is wide enough to take account of the transmit carrier frequency stability.

operational frequency range(s): sub-portion(s) of the band 1 626,5 MHz to 1 660,5 MHz and 1 668,0 MHz to 1 675,0 MHz in the earth-to-space direction to the MSS network, for which the equipment has been designed as declared by the applicant

Portable Equipment (PE): equipment generally intended to be self-contained, free standing and portable

NOTE: A PE would normally consist of a single module, but may consist of several interconnected modules.

radiated measurement: measurement of an actual radiated field

Special Test Equipment (STE): equipment which allows a test laboratory to control the MES so that the tests required by the present document can be performed

MIC	MES Identification Code
MSS	Mobile Satellite Service
NCF	Network Control Facility
PE	Portable Equipment
R&TTE	Radio and Telecommunications Terminal Equipment
RF	Radio Frequency
S-PCN	Satellite Personal Communications Network
STE	Special Test Equipment
TDMA	Time Division Multiple Access

4 Technical requirement specifications

4.1 Environment profile

The technical requirements of the present document apply under the environmental profile for operation of the equipment, which shall be declared by the applicant. The equipment shall comply with all the technical requirements of the present document at all times when operating within the boundary limits of the declared operational environmental profile.

The environmental profile for operation of the equipment shall include the ranges of humidity, temperature and supply voltage.

Table 2: Void

4.2 Conformance requirements

4.2.1 Unwanted emissions outside the band 1 626,5 MHz to 1 660,5 ~~MHz~~ (~~carrier-on state~~)

~~4.2.1.1~~ ~~Justification~~

~~Protection~~ of other radio services operating outside the band 1 626,5 MHz to 1 660,5 MHz from emissions caused by S-PCN MESs ~~operating within~~ the band 1 626,5 MHz to 1 660,5 ~~MHz~~.

sub-band: contiguous portion of the operating band

NOTE: Two sub-bands are defined (see table 1).

test laboratory: laboratory which performs the conformance testing of the MES against the present document

NOTE: The test laboratory may be the applicant's laboratory.

test load: substantially non-reactive, non-radiating power attenuator which is capable of safely dissipating the power from the transmitter(s)

transmission format: physical characteristics of the signal that is transmitted by an MES

NOTE: An MES may use more than one transmission format within a single S-PCN.

unwanted emissions: emissions falling outside the nominated bandwidth in the carrier-on state and those generated in the carrier-off state

3.2 Abbreviations

For the purposes of the present document, the following abbreviations apply:

B _{3dB}	3dB Bandwidth
B _n	Nominated Bandwidth
CDMA	Code Division Multiple Access
CMF	Control and Monitoring Functions
dBW	decibel relative to 1 Watt
EIRP	Equivalent Isotropically Radiated Power
EMC	Electro-Magnetic Compatibility
EME	Externally Mounted Equipment
IE	Installable Equipment
IEC	International Electrotechnical Commission/Committee
IME	Internally Mounted Equipment
ITU	International Telecommunications Union
LTE	Laboratory Test Equipment
MES	Mobile Earth Station
MIC	MES Identification Code
MSS	Mobile Satellite Service
NCF	Network Control Facility
PE	Portable Equipment
R&TTE	Radio and Telecommunications Terminal Equipment
RF	Radio Frequency
S-PCN	Satellite Personal Communications Network
STE	Special Test Equipment
TDMA	Time Division Multiple Access

4 Technical requirement specifications

4.1 Environment profile

The technical requirements of the present document apply under the environmental profile for operation of the equipment, which shall be declared by the applicant. The equipment shall comply with all the technical requirements of the present document at all times when operating within the boundary limits of the declared operational environmental profile.

The environmental profile for operation of the equipment shall include the ranges of humidity, temperature and supply voltage.

Table 2: Void

4.2.1.2 ~~Technical requirements~~

The maximum EIRP spectral density of the unwanted emissions from the MES outside the band ~~1 626,5 MHz to 1 660,5 MHz~~ shall not exceed the limits in table 3.

In table 3, whenever a change of limit between adjacent frequency bands occurs, the lower of the two limits shall apply at the transition frequency.

Table 3: Unwanted emissions outside the band 1 626,5 MHz to 1 660,5 MHz

Frequency (MHz)	Carrier - on state		
	EIRP (dBW)	Measurement bandwidth	Measurement method (see note 6)
30 to 1 000	-66	100 kHz	Peak Hold
1 000 to 1 559	-61	1 MHz	Average
1 559 to 1 605,0	-70	1 MHz (see note 3)	Average (see note 2)
1 605,0 to 1 612,5	-70 to -58,5 (see note 4)	1 MHz (see note 3)	Average
1 612,5 to 1 616,5	-55 to -50 (see note 4)	1 MHz	Average
1 616,5 to 1 621,5	-50 to -46 (see note 4)	1 MHz	Average
1 621,5 to 1 624,5	-60	30 kHz	Average
1 624,5 to 1 625,0	-60 to -57,5 (see notes 4, 5, 7)	30 kHz	Average
1 625,0 to 1 625,125	-57,5 to -57,2 (see notes 4, 5, 7)	30 kHz	Average
1 625,125 to 1 625,8	-57,2 to -50 (see notes 4, 5, 7)	30 kHz	Average
1 625,8 to 1 626,0	-50 to -47 (see notes 4, 5, 7)	30 kHz	Average
1 626,0 to 1 626,2	-47 to -40 (see notes 4, 5, 7)	30 kHz	Average
1 626,2 to 1 626,5	-40 (see notes 5, 7)	30 kHz	Average
1 626,5 to 1 660,5	NOT APPLICABLE	NOT APPLICABLE	NOT APPLICABLE
1 660,5 to 1 662,5	The levels in table 4a shall apply from 1 660,5 MHz to 1 662,5 MHz		
1 662,5 to 1 665,5	-60	30 kHz	Average
1 665,5 to 1 670,5	-60	100 kHz	Average
1 670,5 to 1 680,5	-60	300 kHz	Average
1 680,5 to 1 690,5	-60	1 MHz	Average
1 690,5 to 2 250	-60	3 MHz	Average
2 250 to 12 750 (see note 4)	-60	3 MHz	Peak Hold

NOTE 1: In the band 3 253,0 MHz to 3 321,0 MHz the maximum EIRP in one, and only one, 3 MHz measurement bandwidth shall not exceed -38 dBW. Elsewhere in this band the power limit in table 3 shall be applied.
In each of the bands 4 879,5 MHz to 4 981,5 MHz, 6 506,0 MHz to 6 642,0 MHz and 8 132,5 MHz to 8 302,5 MHz the maximum EIRP in one, and only one, 3 MHz measurement bandwidth shall not exceed -48 dBW. Elsewhere in this band the power limit in table 3 shall be applied.

NOTE 2: The average measurement method defined in clause 5.2.2.3 shall apply except that an averaging period of 20 ms shall be used in the sub-band 1 573,42 MHz to 1 580,42 MHz.

NOTE 3: Measurement bandwidths less than 1 MHz are allowable provided the power in the narrower bandwidth is integrated over 1 MHz.

NOTE 4: Linearly interpolated in dBW vs. Frequency.

NOTE 5: The power limits specified in the band 1 624,5 MHz to ~~1 626,5 MHz~~ require further study. This study is important to determine whether less stringent limits may enhance spectrum efficiency and utilization immediately above 1 626,5 MHz.

NOTE 6: Peak Hold and Average measurements shall be performed as specified in clauses 5.2.2.2 and 5.2.2.3.

NOTE 7: For systems employing CDMA, the EIRP limits shall be decreased by 10 log (N) dB, where N is the maximum number of MESs in the receive beam of the satellite to which these MESs are communicating and which are expected to transmit simultaneously in the same frequency band within that same beam. This number shall be declared by the manufacturer (N = 1 in a TDMA system).

4.2 Conformance requirements

4.2.1 Unwanted emissions outside the band 1 626,5 MHz to 1 660,5 MHz and outside the band 1 668,0 MHz to 1 675,0 MHz (carrier-on state)

4.2.1.1 Justification

The technical requirements presented in this clause shall apply to all MESs that are capable of transmitting either in sub-band 1, or sub-band 2, or in both sub-bands as defined in table 1 for the purpose of:

- protection of other radio services operating outside the band 1 626,5 MHz to 1 660,5 MHz from emissions caused by S-PCN MESs transmitting within the sub-band 1 frequency band as defined in table 1; and
- protection of other radio services operating outside the band 1 668,0 MHz to 1 675,0 MHz from emissions caused by S-PCN MESs transmitting within the sub-band 2 frequency band as defined in table 1.

4.2.1.2 Technical requirements

Unwanted emissions from Mobile Earth Stations (MESs) outside the band 1 626,5 MHz to 1 660,5 MHz and outside the band 1 668 MHz to 1 675 MHz shall be below the following limits.

Unless otherwise stated the specification in this clause shall apply to all types of MESs notwithstanding their transmitting capabilities within the frequency bands as defined in table 1:

- 1) For MES that are capable of transmitting within only the sub-band 1 frequency band as defined in table 1, the maximum EIRP spectral density of the unwanted emissions from the MES outside the band 1 626,5 MHz to 1 660,5 MHz shall not exceed the limits in either table 3 or table 3a. The applicant shall declare which alternative shall be used.
- 2) For MES that are capable of transmitting within only sub-band 2 frequency band or within both the sub-band 1 and sub-band 2 frequency bands, the maximum EIRP spectral density of the unwanted emissions from the MES outside the bands 1 626,5 MHz to 1 660,5 MHz and 1 668,0 MHz to 1 675,0 MHz shall not exceed the limits in table 3a.

In tables 3 and 3a, whenever a change of limit between adjacent frequency bands occurs, the lower of the two limits shall apply at the transition frequency.

The conformance requirements apply for the full range of environmental conditions corresponding to the type of equipment as specified in clause 4.1.

4.2.1.3 Conformance test

Conformance tests shall be carried out in accordance with ~~clause 5.2.2~~.

4.2.2 Unwanted emissions within the bands 1 626,5 MHz to 1 660,5 MHz and 1 660,5 MHz to 1 662,5 MHz (carrier-on state)

4.2.2.1 Justification

Protection of radio services and systems operating within the neighbouring frequency band 1 660,5 MHz to 1 662,5 MHz and other systems operating within the band 1 626,5 MHz to 1 660,5 MHz from unwanted emissions caused by S-PCN MESs ~~operating~~ in the band 1 626,5 MHz to 1 660,5 ~~MHz~~.

~~4.2.2.2 Technical requirements~~

~~The~~ maximum EIRP spectral density of the unwanted emissions from the MES within the band 1 626,5 MHz to 1 660,5 MHz shall not exceed the limits in either table 4a or ~~table~~ 4b. The applicant shall declare which alternative shall be used.

~~In all cases the~~ maximum EIRP spectral density of the unwanted emissions from the MES within the band 1 660,5 MHz to 1 662,5 MHz shall not exceed the limits in table 4a.

In tables 4a and 4b, whenever a change of limit between adjacent frequency bands occurs, the lower of the two limits shall apply at the transition frequency.

Table 4a: Maximum unwanted emissions in the bands 1 626,5 MHz to 1 660,5 MHz and 1 660,5 MHz to 1 662,5 MHz caused by S-PCN MESs ~~operating~~ in the band 1 626,5 MHz to 1 660,5 ~~MHz~~

Frequency offset (kHz) (see note 1)	Carrier-on state		
	EIRP (dBW) (see note 2)	Measurement bandwidth (kHz)	Measurement method
0 to 25	0 to -15	3	Average
25 to 125	-15 to -50	3	Average
125 to 425	-50	3	Average
425 to 1 500	-50 to -65	3	Average
1 500 to 36 000	-55	30	Average

NOTE 1: Frequency offset is determined from the edge of the nominated bandwidth.
NOTE 2: Linearly interpolated in dBW vs. Frequency offset.

Table 3: Unwanted emissions outside the band 1 626,5 MHz to 1 660,5 MHz for MES only capable of transmitting within sub-band 1 frequency band as defined in table 1

<u>Frequency (MHz)</u>	Carrier - on state		
	EIRP (dBW)	Measurement bandwidth	Measurement method (see note 6)
30 to 1 000	-66	100 kHz	Peak Hold
1 000 to 1 559	-61	1 MHz	Average
1 559 to 1 605,0	-70	1 MHz (see note 3)	Average (see note 2)
1 605,0 to 1 612,5	-70 to -58,5 (see note 4)	1 MHz (see note 3)	Average
1 612,5 to 1 616,5	-55 to -50 (see note 4)	1 MHz	Average
1 616,5 to 1 621,5	-50 to -46 (see note 4)	1 MHz	Average
1 621,5 to 1 624,5	-60	30 kHz	Average
1 624,5 to 1 625,0	-60 to -57,5 (see notes 4, 5, 7)	30 kHz	Average
1 625,0 to 1 625,125	-57,5 to -57,2 (see notes 4, 5, 7)	30 kHz	Average
1 625,125 to 1 625,8	-57,2 to -50 (see notes 4, 5, 7)	30 kHz	Average
1 625,8 to 1 626,0	-50 to -47 (see notes 4, 5, 7)	30 kHz	Average
1 626,0 to 1 626,2	-47 to -40 (see notes 4, 5, 7)	30 kHz	Average
1 626,2 to 1 626,5	-40 (see notes 5, 7)	30 kHz	Average
1 626,5 to 1 660,5	NOT APPLICABLE	NOT APPLICABLE	NOT APPLICABLE
1 660,5 to 1 662,5	The levels in table 4a shall apply from 1 660,5 MHz to 1 662,5 MHz		
1 662,5 to 1 665,5	-60	30 kHz	Average
1 665,5 to 1 670,5	-60	100 kHz	Average
1 670,5 to 1 680,5	-60	300 kHz	Average
1 680,5 to 1 690,5	-60	1 MHz	Average
1 690,5 to 2 250	-60	3 MHz	Average
2 250 to 12 750 (see note 1)	-60	3 MHz	Peak Hold

NOTE 1: In the band 3 253,0 MHz to 3 321,0 MHz the maximum EIRP in one, and only one, 3 MHz measurement bandwidth shall not exceed -38 dBW. Elsewhere in this band the power limit in table 3 shall be applied.
In each of the bands 4 879,5 MHz to 4 981,5 MHz, 6 506,0 MHz to 6 642,0 MHz and 8 132,5 MHz to 8 302,5 MHz the maximum EIRP in one, and only one, 3 MHz measurement bandwidth shall not exceed -48 dBW. Elsewhere in this band the power limit in table 3 shall be applied.

NOTE 2: The average measurement method defined in clause 5.2.2.3 shall apply except that an averaging period of 20 ms shall be used in the sub-band 1 573,42 MHz to 1 580,42 MHz.

NOTE 3: Measurement bandwidths less than 1 MHz are allowable provided the power in the narrower bandwidth is integrated over 1 MHz.

NOTE 4: Linearly interpolated in dBW vs. Frequency.

NOTE 5: The power limits specified in the band 1 624,5 MHz to 1 626,5 MHz require further study. This study is important to determine whether less stringent limits may enhance spectrum efficiency and utilization immediately above 1 626,5 MHz.

NOTE 6: Peak Hold and Average measurements shall be performed as specified in clauses 5.2.2.2 and 5.2.2.3.

NOTE 7: For systems employing CDMA, the EIRP limits shall be decreased by 10 log (N) dB, where N is the maximum number of MESs in the receive beam of the satellite to which these MESs are communicating and which are expected to transmit simultaneously in the same frequency band within that same beam. This number shall be declared by the manufacturer (N = 1 in a TDMA system).

Table 4b: Maximum unwanted emissions in the bands 1 626,5 MHz to 1 660,5 MHz caused by S-PCN MESSs operating in the band 1 626,5 MHz to 1 660,5 MHz

Frequency offset (kHz) (see notes 1, 3)	Carrier-on state		
	EIRP (dBW) (see note 2)	Measurement bandwidth (kHz)	Measurement method
0 to 25	0 to -15	3	Average
25 to 55	-15 to -25 (see note 4)	3	Average
55 to AB	-25 (see note 4)	3	Average
AB to (AB + 0,35 x B3dB)	-25 to -40 (see note 4)	3	Average
(AB + 0,35 x B3dB) to CD	-40	3	Average
CD to (CD + 0,25 x B3dB)	-40 to -50	3	Average
(CD + 0,25 x B3dB) to EF	-50	3	Average
EF to 1 500	-50 to -65	3	Average
1 500 to 36 000	-55	30	Average

NOTE 1: Frequency offset is determined from the edge of the nominated bandwidth.
NOTE 2: Linearly interpolated in dBW vs. Frequency offset.
NOTE 3: The parameters AB, CD, EF are defined below.
NOTE 4: The limit of -25 dBW in this table is determined on the assumption that the adjacent channel interference results from a single interferer. This limit shall apply to MESSs that are designed for operation in a network where the occurrence of two (or more) interferers, all transmitting with the maximum permitted level of unwanted emissions, does not exceed 0,1 % of the time; otherwise a limit of -30 dBW shall apply.

The parameters AB, CD and EF are defined as a proportion of the ~~300~~ Bandwidth as follows:

AB = (55) or (100 % of the B3dB), whichever is the greater;

CD = (95) or (200 % of the B3dB), whichever is the greater;

EF = (125) or (300 % of the B3dB), whichever is the greater.

For systems employing CDMA, the EIRP limits in tables 4a, and 4b shall be decreased by $10 \times \log(N)$ dB, where N is the maximum number of MESSs in the receive beam of the satellite to which these MESSs are communicating and which are expected to transmit simultaneously in the same frequency band within that same beam. This number shall be declared by the applicant.

~~NOTE:~~ N = 1 in a TDMA system.

The conformance requirements apply for the full range of environmental conditions corresponding to the type of equipment as specified in clause 4.1.

4.2.2.3 Conformance test

Conformance tests shall be carried out in accordance with clause 5.2.3.

4.2.3 Unwanted emissions in carrier-off state

4.2.3.1 Justification

Protection of other radio services and systems from unwanted emissions caused by MESSs in the carrier-off state.

Table 3a: Unwanted emissions outside the bands 1 626.5 MHz to 1 660.5 MHz and 1 668.0 MHz to 1 675.0 MHz for MES capable of transmitting within all or any part of sub-band 1 and sub-band 2 frequency bands as defined in table 1

Frequency (MHz)	Carrier - on state		
	EIRP (dBW)	Measurement bandwidth	Measurement method (see note 8)
<u>30 to 1 000</u>	<u>-66</u>	<u>100 kHz</u>	<u>Peak Hold</u>
<u>1 000 to 1 559</u>	<u>-61</u>	<u>1 MHz</u>	<u>Average</u>
<u>1 559 to 1 605.0</u>	<u>-70</u>	<u>1 MHz</u> (see note 5)	<u>Average</u> (see note 2)
<u>1 605.0 to 1 612.5</u>	<u>-70 to -58.5</u> (see note 6)	<u>1 MHz</u> (see note 5)	<u>Average</u>
<u>1 612.5 to 1 616.5</u>	<u>-55 to -50</u> (see note 6)	<u>1 MHz</u>	<u>Average</u>
<u>1 616.5 to 1 621.5</u>	<u>-50 to -46</u> (see note 6)	<u>1 MHz</u>	<u>Average</u>
<u>1 621.5 to 1 624.5</u>	<u>-60</u>	<u>30 kHz</u>	<u>Average</u>
<u>1 624.5 to 1 625.0</u>	<u>-60 to -57.5</u> (see notes 6, 7, 9)	<u>30 kHz</u>	<u>Average</u>
<u>1 625.0 to 1 625.125</u>	<u>-57.5 to -57.2</u> (see notes 6, 7, 9)	<u>30 kHz</u>	<u>Average</u>
<u>1 625.125 to 1 625.8</u>	<u>-57.2 to -50</u> (see notes 6, 7, 9)	<u>30 kHz</u>	<u>Average</u>
<u>1 625.8 to 1 626.0</u>	<u>-50 to -47</u> (see notes 6, 7, 9)	<u>30 kHz</u>	<u>Average</u>
<u>1 626.0 to 1 626.2</u>	<u>-47 to -40</u> (see notes 6, 7, 9)	<u>30 kHz</u>	<u>Average</u>
<u>1 626.2 to 1 626.5</u>	<u>-40</u> (see notes 7, 9)	<u>30 kHz</u>	<u>Average</u>
<u>1 626.5 to 1 660.5</u>	<u>NOT APPLICABLE</u>	<u>NOT APPLICABLE</u>	<u>NOT APPLICABLE</u>
<u>1 660.5 to 1 662.5</u>	<u>note 1</u>	<u>note 1</u>	<u>note 1</u>
<u>1 662.5 to 1 666.0</u>	<u>-55</u>	<u>30 kHz</u>	<u>Average</u>
<u>1 666.0 to 1 668.0</u>	<u>note 2</u>	<u>note 2</u>	<u>note 2</u>
<u>1 668.0 to 1 675.0</u>	<u>NOT APPLICABLE</u>	<u>NOT APPLICABLE</u>	<u>NOT APPLICABLE</u>
<u>1 675.0 to 1 677.0</u>	<u>note 2</u>	<u>note 2</u>	<u>note 2</u>
<u>1 677.0 to 1 680.0</u>	<u>-60</u>	<u>30 kHz</u>	<u>Average</u>
<u>1 680.0 to 1 685.0</u>	<u>-60</u>	<u>100 kHz</u>	<u>Average</u>
<u>1 685.0 to 1 695.0</u>	<u>-60</u>	<u>300 kHz</u>	<u>Average</u>
<u>1 695.0 to 1 705.0</u>	<u>-60</u>	<u>1 MHz</u>	<u>Average</u>
<u>1 705.0 to 2 250</u>	<u>-60</u>	<u>3 MHz</u>	<u>Average</u>
<u>2 250 to 12 750</u> (see note 3)	<u>-60</u>	<u>3 MHz</u>	<u>Average</u>

4.2.3.2 Technical requirements

The maximum EIRP spectral density of the unwanted emissions from the MESs in the carrier-off state shall not exceed the limits in table 5.

In table 5, whenever a change of limit between adjacent frequency bands occurs, the lower of the two limits shall apply at the transition frequency.

Table 5: Maximum EIRP spectral density of the unwanted emissions in the carrier-off state

Frequency (MHz)	EIRP (dBW)	Measurement bandwidth	Measurement method
30 to 1 000	-87	100 kHz	peak hold
1 000 to 1 525	-77	100 kHz	peak hold
1 525 to 1 559	-97 (see note 3)	100 kHz	average
1 559 to 1 610	-70	1 MHz (see note 1)	Average (see note 2)
1 610 to 12 750	-77	100 kHz	peak hold
NOTE 1: Measurement bandwidths less than 1 MHz are allowable provided the power in the narrower bandwidth is integrated over 1 MHz.			
NOTE 2: The average measurement method defined in clause 5.2.2.3 shall apply except that a measurement time of 20 ms shall be used in the sub-band 1 573,42 MHz to 1 580,42 MHz.			
NOTE 3: If MES antenna gain is higher than 8 dBi, the unwanted emission limit in the band 1 525 MHz to 1 559 MHz shall be considered to be -90 dBW in 100 kHz.			

The conformance requirements apply for the full range of environmental conditions corresponding to the type of equipment as specified in clause 4.1.

4.2.3.3 Conformance test

Conformance tests shall be carried out in accordance with clause 5.2.4.

4.2.4 MES Control and Monitoring Functions (CMF)

4.2.4.1 Self-monitoring functions/Processor monitoring

4.2.4.1.1 Justification

Protection of radio services and systems from uncontrolled RF transmissions from the MES.

4.2.4.1.2 Technical requirements

The MES shall incorporate a processor monitoring function for each of its processors involved in the manipulation of traffic and in control and monitoring functions.

The processor monitoring function shall detect failure of the processor hardware and software.

Not later than 1 s after any detectable fault condition occurs, the transmissions shall be suppressed (carrier-off state) until the processor monitoring function has determined that all fault conditions have been cleared.

The fault conditions which cause transmission shutdown shall be specified by the applicant and declared by the applicant.

The conformance requirements apply for the environmental conditions as specified in clause 4.1.

4.2.4.1.3 Conformance test

Conformance tests shall be carried out in accordance with clause 5.2.5.1.

Frequency (MHz)	Carrier - on state		
	EIRP (dBW)	Measurement bandwidth	Measurement method (see note 8)
<u>NOTE 1: For an MES transmitting in sub-band 1 (as defined in table 1) the limits defined in table 4a shall apply for the band 1 660,5 MHz to 1 662,5 MHz. For an MES transmitting in sub-band 2 (as defined in table 1) a limit of -55 dBW in 30 kHz shall apply for the band 1 660,5 MHz to 1 662,5 MHz.</u>			
<u>NOTE 2: For an MES transmitting in sub-band 2 (as defined in table 1) the limits defined in table 4a shall apply for the bands 1 666,0 MHz to 1 668,0 MHz and 1 675,0 MHz to 1 677,0 MHz. For an MES transmitting in sub-band 1 (as defined in table 1) a limit of -55 dBW in 30 kHz shall apply for the bands 1 666,0 MHz to 1 668,0 MHz and 1 675,0 MHz to 1 677,0 MHz.</u>			
<u>NOTE 3: In the bands 3 253,0 MHz to 3 321,0 MHz and 3 336,0 MHz to 3 350,0 MHz the maximum EIRP in one, and only one, 3 MHz measurement bandwidth shall not exceed -38 dBW. Elsewhere in this band the power limit in table 3a shall be applied. In the bands 4 879,5 MHz to 4 981,5 MHz and 5 004,0 MHz to 5 025,0 MHz the maximum EIRP in one, and only one, 3 MHz measurement bandwidth shall not exceed -48 dBW. Elsewhere in this band the power limit in table 3a shall be applied. In the bands 6 506,0 MHz to 6 642,0 MHz and 6 672,0 MHz to 6 700,0 MHz the maximum EIRP in one, and only one, 3 MHz measurement bandwidth shall not exceed -48 dBW. Elsewhere in this band the power limit in table 3a shall be applied. In the bands 8 132,5 MHz to 8 302,5 MHz and 8 340,0 MHz to 8 375,0 MHz the maximum EIRP in one, and only one, 3 MHz measurement bandwidth shall not exceed -48 dBW. Elsewhere in this band the power limit in table 3a shall be applied.</u>			
<u>NOTE 4: The average measurement method defined in clause 5 2 2 3 shall apply except that an averaging period of 20 ms shall be used in the sub-band 1 573,42 MHz to 1 580,42 MHz.</u>			
<u>NOTE 5: Measurement bandwidths less than 1 MHz are allowable provided the power in the narrower bandwidth is integrated over 1 MHz.</u>			
<u>NOTE 6: Linearly interpolated in dBW vs. Frequency.</u>			
<u>NOTE 7: The power limits specified in the band 1 624,5 MHz to 1 626,5 MHz require further study. This study is important to determine whether less stringent limits may enhance spectrum efficiency and utilization immediately above 1 626,5 MHz.</u>			
<u>NOTE 8: Peak Hold and Average measurements shall be performed as specified in clauses 5 2 2 2 and 5 2 2 3.</u>			
<u>NOTE 9: For systems employing CDMA, the EIRP limits shall be decreased by 10 log (N) dB, where N is the maximum number of MESs in the receive beam of the satellite to which these MESs are communicating and which are expected to transmit simultaneously in the same frequency band within that same beam. This number shall be declared by the manufacturer (N = 1 in a TDMA system).</u>			

The conformance requirements apply for the full range of environmental conditions corresponding to the type of equipment as specified in clause 4.1.

4.2.1.3 Conformance test

Conformance tests shall be carried out in accordance with clause 5 2 2 and clause 5 2 3.

4.2.2 Unwanted emissions within the bands 1 626,5 MHz to 1 660,5 MHz and 1 660,5 MHz to 1 662,5 MHz and within the bands 1 666,0 MHz to 1 668,0 MHz, 1 668,0 MHz to 1 675,0 MHz and 1 675,0 MHz to 1 677,0 MHz (carrier-on state)

4.2.2.1 Justification

Protection of radio services and systems operating within the neighbouring frequency band 1 660,5 MHz to 1 662,5 MHz and other systems operating within the band 1 626,5 MHz to 1 660,5 MHz from unwanted emissions caused by S-PCN MESs transmitting in the band 1 626,5 MHz to 1 660,5 MHz.

Protection of radio services and systems operating within the neighbouring frequency band 1 666,0 MHz to 1 668,0 MHz and 1 675,0 MHz to 1 677,0 MHz and other systems operating within the band 1 668,0 MHz to 1 675,0 MHz from unwanted emissions caused by S-PCN MESs transmitting in the band 1 668,0 MHz to 1 675,0 MHz.

4.2.4.2 Self-monitoring functions/Transmit frequency generation sub-system monitoring

4.2.4.2.1 Justification

Protection of radio services and systems from uncontrolled RF transmissions from the MES.

4.2.4.2.2 Technical requirements

The MES shall incorporate a transmit frequency generation sub-system monitoring function.

Not later than 5 s after any detectable failure of the transmit frequency generation sub-system occurs, the transmissions shall be suppressed (carrier-off state) until the transmit frequency generation sub-system monitoring function has determined that all fault conditions have been cleared.

The fault conditions which cause transmission shutdown shall be specified by the applicant and declared by the applicant.

The conformance requirements apply for the environmental conditions as specified in clause 4.1.

4.2.4.2.3 Conformance test

Conformance tests shall be carried out in accordance with clause 5.2.5.2.

4.2.4.3 Network control authorization

4.2.4.3.1 Justification

Protection of radio services and systems from uncontrolled RF transmissions from the MES.

4.2.4.3.2 Technical requirements

During power-on no transmissions shall occur from the MES.

Following power-on the MES shall enter the carrier-off state. This state shall be maintained whilst the MES is not synchronized with the appropriate network control channel(s).

Without synchronizing to the appropriate network control channel(s), it shall not be possible to initiate the carrier-on state.

Within 30 s of having lost the appropriate network control channel(s) the MES shall suppress transmissions (carrier-off state).

The conformance requirements apply for the environmental conditions as specified in clause 4.1.

4.2.4.3.3 Conformance test

Conformance tests shall be carried out in accordance with clause 5.2.5.3.

4.2.4.4 Network control reception

4.2.4.4.1 Transmission disable/enable

4.2.4.4.1.1 Justification

Protection of radio services and systems from uncontrolled RF transmissions from the MES.

4.2.2.2 Technical requirements

If an MES is capable of transmitting in both sub-band 1 and sub-band 2 as defined in table 1, there are two different limits in this clause. The limits defined in tables 4a and 4b shall only apply for the current transmit band as defined below.

For MES transmitting in the sub-band 1 frequency band as defined in table 1:

- The maximum EIRP spectral density of the unwanted emissions from the MES within the band 1 626,5 MHz to 1 660,5 MHz shall not exceed the limits in either table 4a or 4b. The applicant shall declare which alternative shall be used.
- The maximum EIRP spectral density of the unwanted emissions from the MES within the band 1 660,5 MHz to 1 662,5 MHz shall not exceed the limits in table 4a.
- If an applicant declares to use table 3a, the maximum EIRP spectral density of the unwanted emissions from the MES within the band 1 668,0 MHz to 1 675,0 MHz shall not exceed -55 dBW in any 30 kHz measurement bandwidth.

NOTE 1: The above limit only applies if an applicant declares to use table 3a. If an applicant declares to use table 3 the limits for the band 1 668,0 MHz to 1 675,0 MHz are defined in table 3.

For MES transmitting in the sub-band 2 frequency band as defined in table 1:

- The maximum EIRP spectral density of the unwanted emissions from the MES within the band 1 668,0 MHz to 1 675,0 MHz shall not exceed the limits in either table 4a or 4b. The applicant shall declare which alternative shall be used.
- The maximum EIRP spectral density of the unwanted emissions from the MES within the bands 1 666,0 MHz to 1 668,0 MHz and 1 675,0 MHz to 1 677,0 MHz shall not exceed the limits in table 4a.
- The maximum EIRP spectral density of the unwanted emissions from the MES within the band 1 660,5 MHz to 1 662,5 MHz shall not exceed -55 dBW in any 30 kHz measurement bandwidth.

In tables 4a and 4b, whenever a change of limit between adjacent frequency bands occurs, the lower of the two limits shall apply at the transition frequency.

Table 4a: Maximum unwanted emissions in the bands 1 626,5 MHz to 1 660,5 MHz and 1 660,5 MHz to 1 662,5 MHz caused by S-PCN MESs transmitting in the band 1 626,5 MHz to 1 660,5 MHz; and maximum unwanted emissions in the bands 1 666,0 MHz to 1 668,0 MHz, 1 668,0 MHz to 1 675,0 MHz and 1 675,0 MHz to 1 677,0 MHz caused by S-PCN MESs transmitting in the band 1 668,0 MHz to 1 675,0 MHz

Frequency offset (kHz) (see note 1)	Carrier-on state		
	EIRP (dBW) (see note 2)	Measurement bandwidth (kHz)	Measurement method
0 to 25	0 to -15	3	Average
25 to 125	-15 to -50	3	Average
125 to 425	-50	3	Average
425 to 1 500	-50 to -65	3	Average
1 500 to 36 000	-55	30	Average

NOTE 1: Frequency offset is determined from the edge of the nominated bandwidth.
NOTE 2: Linearly interpolated in dBW vs. Frequency offset.

4.2.4.4.1.2 Technical requirements

After power-on the MES shall remain in the carrier-off state until it receives a transmission enable command. For systems where no transmission enable command is expected after power-on the MES may only transmit initial bursts.

An MES which is in the carrier-on state shall not continue transmissions for a period of time longer than 1 s after receipt of a transmission disable command. After ceasing transmissions the MES shall enter the carrier-off state until it receives a transmission enable command. For systems where no transmission enable command is expected after receipt of a transmission disable command the MES may only transmit initial bursts.

The initial bursts shall be subject to the following restrictions:

- a) an initial burst may be transmitted in a continuous or non-continuous mode (i.e. as a single burst or as a sequence of bursts);
- b) the carrier-on time of an initial burst transmission sequence shall not exceed one second;
- c) the total carrier-on time for multiple initial bursts shall not exceed 1 % of the time.

The conformance requirements apply for the environmental conditions as specified in clause 4.1.

4.2.4.4.1.3 Conformance test

Conformance tests shall be carried out in accordance with clause 5.2.5.4.1.

4.2.4.4.2 Transmit frequency control

4.2.4.4.2.1 Purpose

Protection of radio services and systems from uncontrolled RF transmissions from the MES.

4.2.4.4.2.2 Technical requirements

The MES shall set the carrier frequency of its transmission according to the command of the NCF. The carrier frequency has to be controlled such, that the entire nominated bandwidth of the terminal falls completely within the operational frequency range(s) specified by the applicant and declared by the applicant.

The conformance requirements apply for the environmental conditions as specified in clause 4.1.

4.2.4.4.2.3 Conformance test

Conformance tests shall be carried out in accordance with clause 5.2.5.4.2.

4.2.4.5 Fellow radio stations in a dual-mode or multimode terminal

4.2.4.5.1 Justification

Protection of radio services and systems from uncontrolled RF transmissions from the MES.

4.2.4.5.2 Technical requirements

Any fellow radio station in a multimode MES shall not transmit without reception of the appropriate network control channel(s) for the system for which it is designed. The conformance requirements apply for the environmental conditions as specified for the fellow radio station.

4.2.4.5.3 Conformance test

Conformance tests shall be carried out in accordance with clause 5.2.5.5.

Table 4b: Maximum unwanted emissions in the bands 1 626,5 MHz to 1 660,5 MHz caused by S-PCN MESs transmitting in the band 1 626,5 MHz to 1 660,5 MHz; and maximum unwanted emissions in the bands 1 668,0 MHz to 1 675,0 MHz caused by S-PCN MESs transmitting in the band 1 668,0 MHz to 1 675,0 MHz

Frequency offset (kHz) (see notes 1 and 3)	Carrier-on state		
	EIRP (dBW) (see note 2)	Measurement bandwidth (kHz)	Measurement method
0 to 25	0 to -15	3	Average
25 to 55	-15 to -25 (see note 4)	3	Average
55 to AB	-25 (see note 4)	3	Average
AB to (AB + 0,35 x B3dB)	-25 to -40 (see note 4)	3	Average
(AB + 0,35 x B3dB) to CD	-40	3	Average
CD to (CD + 0,25 x B3dB)	-40 to -50	3	Average
(CD + 0,25 x B3dB) to EF	-50	3	Average
EF to 1 500	-50 to -65	3	Average
1 500 to 36 000	-55	30	Average

NOTE 1: Frequency offset is determined from the edge of the nominated bandwidth.
NOTE 2: Linearly interpolated in dBW vs. Frequency offset.
NOTE 3: The parameters AB, CD, EF are defined below.
NOTE 4: The limit of -25 dBW in this table is determined on the assumption that the adjacent channel interference results from a single interferer. This limit shall apply to MESs that are designed for operation in a network where the occurrence of two (or more) interferers, all transmitting with the maximum permitted level of unwanted emissions, does not exceed 0,1 % of the time; otherwise a limit of -30 dBW shall apply.

The parameters AB, CD and EF are defined as a proportion of the 3 dB Bandwidth as follows:

AB = (55) or (100 % of the B3dB), whichever is the greater;

CD = (95) or (200 % of the B3dB), whichever is the greater;

EF = (125) or (300 % of the B3dB), whichever is the greater.

For systems employing CDMA, the EIRP limits in tables 4a, and 4b shall be decreased by $10 \times \log(N)$ dB, where N is the maximum number of MESs in the receive beam of the satellite to which these MESs are communicating and which are expected to transmit simultaneously in the same frequency band within that same beam. This number shall be declared by the applicant.

NOTE 2: N = 1 in a TDMA system.

The conformance requirements apply for the full range of environmental conditions corresponding to the type of equipment as specified in clause 4.1.

4.2.2.3 Conformance test

Conformance tests shall be carried out in accordance with clause 5.2.3.

4.2.3 Unwanted emissions in carrier-off state

4.2.3.1 Justification

Protection of other radio services and systems from unwanted emissions caused by MESs in the carrier-off state.

4.2.5 Equipment identity

4.2.5.1 Justification

Protection of radio services and systems from uncontrolled RF transmissions from the MES.

4.2.5.2 Technical requirements

Each MES shall have a unique MES Identification Code (MIC) within its S-PCN.

It shall not be possible for the user to alter the MIC using any normally accessible procedure.

The MES shall be capable of transmitting its MES Identification Code upon reception of an appropriate NCF command addressed to it.

The conformance requirements apply for the environmental conditions as specified in clause 4.1.

4.2.5.3 Conformance test

Conformance tests shall be carried out in accordance with clause 5.2.6.

4.2.6 Protection of the radio astronomy service operation in the band 1 660 MHz to 1 660,5 MHz

4.2.6.1 Purpose

To protect the radio astronomy service in the 1 660 MHz to 1 660,5 MHz band ~~from emissions produced by MESs.~~

4.2.6.2 Technical requirements

The MES shall be able to have its transmissions disabled as specified in clause 4.2.4.4.1.

The actual procedure used in an S-PCN network to protect the radio astronomy service in the 1 660 MHz to 1 660,5 MHz band may utilize additional features of the MES.

4.2.6.3 Conformance test

Conformance tests shall be carried out in accordance with clause 5.2.5.4.1.

5 Testing for compliance with technical requirements

5.1 Environmental conditions for testing

Tests defined in the present document shall be carried out at representative points within the boundary limits of the declared environmental profile.

Table 6: Void

4.2.3.2 Technical requirements

The maximum EIRP spectral density of the unwanted emissions from the MESs in the carrier-off state shall not exceed the limits in table 5.

In table 5, whenever a change of limit between adjacent frequency bands occurs, the lower of the two limits shall apply at the transition frequency.

Table 5: Maximum EIRP spectral density of the unwanted emissions in the carrier-off state

Frequency (MHz)	EIRP (dBW)	Measurement bandwidth	Measurement method
30 to 1 000	-87	100 kHz	peak hold
1 000 to 1 525	-87	100 kHz	peak hold
1 525 to 1 559	-97 (see note 3)	100 kHz	average
1 559 to 1 610	-70	1 MHz (see note 1)	average (see note 2)
1 610 to 12 750	-87	100 kHz	peak hold
NOTE 1: Measurement bandwidths less than 1 MHz are allowable provided the power in the narrower bandwidth is integrated over 1 MHz.			
NOTE 2: The average measurement method defined in clause 5.2.2.3 shall apply except that a measurement time of 20 ms shall be used in the sub-band 1 573,42 MHz to 1 580,42 MHz.			
NOTE 3: If MES antenna gain is higher than 8 dBi, the unwanted emission limit in the band 1 525 MHz to 1 559 MHz shall be considered to be -90 dBW in 100 kHz.			

The conformance requirements apply for the full range of environmental conditions corresponding to the type of equipment as specified in clause 4.1.

4.2.3.3 Conformance test

Conformance tests shall be carried out in accordance with clause 5.2.4.

4.2.4 MES Control and Monitoring Functions (CMF)

4.2.4.1 Self-monitoring functions/Processor monitoring

4.2.4.1.1 Justification

Protection of radio services and systems from uncontrolled RF transmissions from the MES.

4.2.4.1.2 Technical requirements

The MES shall incorporate a processor monitoring function for each of its processors involved in the manipulation of traffic and in control and monitoring functions.

The processor monitoring function shall detect failure of the processor hardware and software.

Not later than 1 s after any detectable fault condition occurs, the transmissions shall be suppressed (carrier-off state) until the processor monitoring function has determined that all fault conditions have been cleared.

The fault conditions which cause transmission shutdown shall be specified by the applicant and declared by the applicant.

The conformance requirements apply for the environmental conditions as specified in clause 4.1.

4.2.4.1.3 Conformance test

Conformance tests shall be carried out in accordance with clause 5.2.5.1.

5.2 Essential radio test suites

5.2.1 General

5.2.1.1 Description of equipment

The applicant shall provide a statement which contains all of the information related to the MES and its testing environment.

This shall include:

- self contained or host-connected;
- single mode or multimode;
- antenna:
 - ~~active or,~~
 - passive, with an antenna port available; or
 - passive, no antenna port available;
- the method by which the equipment can be switched into its test modes;
- the fault conditions which cause transmission shut-down;
- the nominal, the lower extreme and the higher extreme operational voltages;
- the transmission formats for which the different EIRP spectral density limits apply and the maximum gross data rate at which the MES is designed to operate for each of those formats;
- the value(s) of nominated bandwidth for each transmission format for that S-PCN;
- the value(s) of the 3 dB bandwidth for each transmission format for that S-PCN;
- in an information leaflet, for each S-PCN for which the MES is designed to operate:
 - a) the name of the S-PCN;
 - b) the operating frequency range(s) of the MES;
 - c) the frequency sub-bands and operating conditions for which the different EIRP spectral density limits ~~apply,~~

NOTE 1: In the case of a multimode MES, the other modes of operation ~~shall~~ be stated.

NOTE 2: If the MES has an active antenna, the antenna is regarded as an integral part of the MES and the antenna port if available ~~shall~~ not be used for testing.

NOTE 3: If the MES is intended for use with a passive antenna, the maximum gain of any antenna intended to be used with the equipment is to be stated.

NOTE 4: If conducted emissions measurements are to be performed, at the choice of the applicant, the maximum antenna gain at the frequency of particular measured spurious emissions may be stated.

NOTE 5: If Special Test Equipment (STE) is ~~required~~ see clause 5.2.1.4.2.

NOTE 6: Transmission formats include all relevant differences in the format of the transmitted data e.g. the different modulations schemes and/or burst sizes that are used within the relevant S-PCN.

4.2.4.2 Self-monitoring functions/Transmit frequency generation sub-system monitoring

4.2.4.2.1 Justification

Protection of radio services and systems from uncontrolled RF transmissions from the MES.

4.2.4.2.2 Technical requirements

The MES shall incorporate a transmit frequency generation sub-system monitoring function.

Not later than 5 s after any detectable failure of the transmit frequency generation sub-system occurs, the transmissions shall be suppressed (carrier-off state) until the transmit frequency generation sub-system monitoring function has determined that all fault conditions have been cleared.

The fault conditions which cause transmission shutdown shall be specified by the applicant and declared by the applicant.

The conformance requirements apply for the environmental conditions as specified in clause 4.1.

4.2.4.2.3 Conformance test

Conformance tests shall be carried out in accordance with clause 5.2.5.2.

4.2.4.3 Network control authorization

4.2.4.3.1 Justification

Protection of radio services and systems from uncontrolled RF transmissions from the MES.

4.2.4.3.2 Technical requirements

During power-on no transmissions shall occur from the MES.

Following power-on the MES shall enter the carrier-off state. This state shall be maintained whilst the MES is not synchronized with the appropriate network control channel(s).

Without synchronizing to the appropriate network control channel(s), it shall not be possible to initiate the carrier-on state.

Within 30 s of having lost the appropriate network control channel(s) the MES shall suppress transmissions (carrier-off state).

The conformance requirements apply for the environmental conditions as specified in clause 4.1.

4.2.4.3.3 Conformance test

Conformance tests shall be carried out in accordance with clause 5.2.5.3.

4.2.4.4 Network control reception

4.2.4.4.1 Transmission disable/enable

4.2.4.4.1.1 Justification

Protection of radio services and systems from uncontrolled RF transmissions from the MES.

5.2.1.2 Testing of host-connected equipment and plug-in modules

5.2.1.2.1 Alternative approaches

For equipment for which connection to or integration with host equipment is required to offer functionality, two alternative approaches are permitted. The applicant shall declare which alternative shall be used.

5.2.1.2.2 Alternative A: combined equipment

Under alternative A, a combination of MES and a specific type of host equipment shall be used for testing according to the present document.

Where more than one such combination is intended, testing shall not be repeated for combinations of MES and other host equipment where the latter are substantially similar, in particular such that the host models are unlikely to significantly influence the emissions of the MES.

Where more than one such combination is intended and host equipment are not substantially similar, one combination shall be tested against the full set of requirements of the present document; other combinations shall be tested separately for radiated emissions only.

5.2.1.2.3 Alternative B: use of a test jig

Under alternative B, where the MES is intended for use with a variety of host equipment, the applicant shall supply a suitable test jig that is representative of the range of host equipment in which the MES may be used. In particular, the test jig shall be designed such that any alteration of the MES's emissions is minimized. The test jig shall allow the MES part to be powered and stimulated in a way similar to the way it would be powered and stimulated when connected to or inserted into the host equipment.

The MES shall be tested against the full set of requirements of the present document.

5.2.1.3 CMF/Special Test Equipment (STE)

The STE shall provide the necessary facilities for tests which require that the MES be operated in its normal operating manner, situated in an environment where receipt of the appropriate network control channel(s) and of NCF commands is under the control of the test laboratory.

The STE shall also provide means for the test laboratory to interface its test equipment with the MES for the purpose of monitoring the MES responses.

For other tests, where the required test mode cannot be, or is not, provided by a special test facility within the MES, then the STE shall also provide the facility to put the MES into these required test modes.

5.2.1.4 General test requirements

5.2.1.4.1 MES test modes

The MES is required to be placed in a number of different test modes in order for the various tests specified within the present document to be carried out:

- 1) power-off;
- 2) power-on (applies to all the following test modes);
- 3) carrier-off state;
- 4) carrier-on state, maximum transmit power, in a specified channel within the operational frequency range(s), transmitting with a specified transmission format and modulated with the test modulating signal as specified in clause 5.2.1.4.2.2;

4.2.4.4.1.2 Technical requirements

After power-on the MES shall remain in the carrier-off state until it receives a transmission enable command. For systems where no transmission enable command is expected after power-on the MES may only transmit initial bursts.

An MES which is in the carrier-on state shall not continue transmissions for a period of time longer than 1 s after receipt of a transmission disable command. After ceasing transmissions the MES shall enter the carrier-off state until it receives a transmission enable command. For systems where no transmission enable command is expected after receipt of a transmission disable command the MES may only transmit initial bursts.

The initial bursts shall be subject to the following restrictions:

- a) an initial burst may be transmitted in a continuous or non-continuous mode (i.e. as a single burst or as a sequence of bursts);
- b) the carrier-on time of an initial burst transmission sequence shall not exceed one second;
- c) the total carrier-on time for multiple initial bursts shall not exceed 1 % of the time.

The conformance requirements apply for the environmental conditions as specified in clause 4.1.

4.2.4.4.1.3 Conformance test

Conformance tests shall be carried out in accordance with clause 5.2.5.4.1.

4.2.4.4.2 Transmit frequency control

4.2.4.4.2.1 Purpose

Protection of radio services and systems from uncontrolled RF transmissions from the MES.

4.2.4.4.2.2 Technical requirements

The MES shall set the carrier frequency of its transmission according to the command of the NCF. The carrier frequency has to be controlled such, that the entire nominated bandwidth of the terminal falls completely within the operational frequency range(s) specified by the applicant and declared by the applicant.

The conformance requirements apply for the environmental conditions as specified in clause 4.1.

4.2.4.4.2.3 Conformance test

Conformance tests shall be carried out in accordance with clause 5.2.5.4.2.

4.2.4.5 Fellow radio stations in a dual-mode or multimode terminal

4.2.4.5.1 Justification

Protection of radio services and systems from uncontrolled RF transmissions from the MES.

4.2.4.5.2 Technical requirements

Any fellow radio station in a multimode MES shall not transmit without reception of the appropriate network control channel(s) for the system for which it is designed. The conformance requirements apply for the environmental conditions as specified for the fellow radio station.

4.2.4.5.3 Conformance test

Conformance tests shall be carried out in accordance with clause 5.2.5.5.

- 5) carrier-on state, maximum transmit power, in a specified channel within the operational frequency range(s), set by NCF command, transmitting with a specified transmission format and modulated with the test modulating signal as specified in clause 5.2.1.4.2.2;

NOTE: If this is available for all tests (4) is not required separately.

- 6) carrier-on state at any detectable power.

The MES may be placed into test modes 4 and 5 either by means of a special facility existing internally in the MES, or by means of a Special Test Equipment (STE).

If the MES has been modified by the applicant for these tests, then full documentation showing such modification(s) shall be provided to demonstrate that the modification(s) will not cause the test results to deviate from normal operational performance.

5.2.1.4.2 Special Test Equipment (STE)

5.2.1.4.2.1 Use of STE for control and monitoring functions tests

The test arrangement shall be as shown in figure 2 for radiated and conducted measurements.

This test arrangement assumes that the STE is responsible for simulating for the MES the NCF commands or network control channel in the same way as they are received by the MES in normal operating mode. The response received by the STE from the MES shall be routed to the LTE without modification that would significantly affect the measurement.

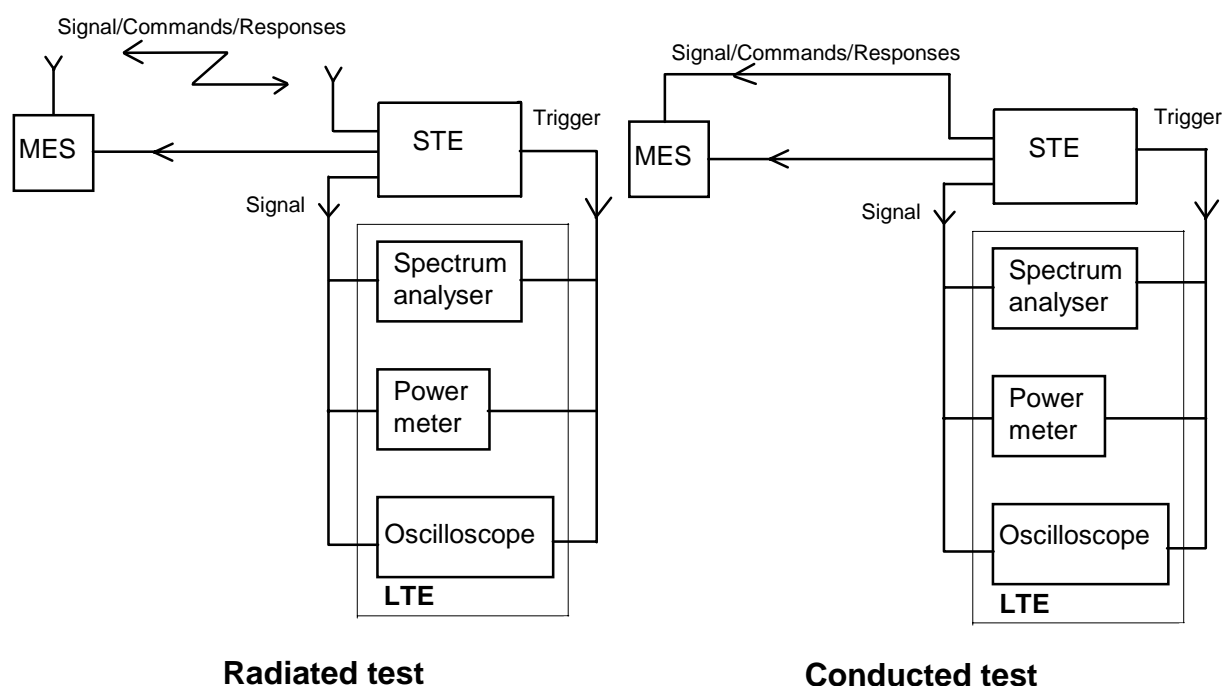


Figure 2: General test arrangement for control and monitoring tests

The dual trace storage oscilloscope, or other suitable method, may be used to monitor the response of the MES to the simulated events by measuring the time difference between the event or command reception, and the compliance with that event.

The power meter and spectrum analyser shall be used to monitor the MES output signal during all the test procedure.

4.2.5 Equipment identity

4.2.5.1 Justification

Protection of radio services and systems from uncontrolled RF transmissions from the MES.

4.2.5.2 Technical requirements

Each MES shall have a unique MES Identification Code (MIC) within its S-PCN.

It shall not be possible for the user to alter the MIC using any normally accessible procedure.

The MES shall be capable of transmitting its MES Identification Code upon reception of an appropriate NCF command addressed to it.

The conformance requirements apply for the environmental conditions as specified in clause 4.1.

4.2.5.3 Conformance test

Conformance tests shall be carried out in accordance with clause 5.2.6.

4.2.6 Protection of the radio astronomy service operation in the band 1 660 MHz to 1 660,5 MHz and in the band 1 668,0 MHz to 1 670,0 MHz

4.2.6.1 Purpose

To protect the radio astronomy service in the 1 660 MHz to 1 660,5 MHz band and the 1 668,0 MHz to 1 670,0 MHz band from emissions produced by MESs the transmissions in these frequency bands shall be capable of being disabled in the vicinity of RA stations recorded in the ITU Master International Frequency Register.

4.2.6.2 Technical requirements

The MES shall be able to have its transmissions disabled as specified in clause 4.2.4.4.1.

The actual procedure used in an S-PCN network to protect the radio astronomy service in the 1 660 MHz to 1 660,5 MHz band and the 1 668,0 MHz to 1 670,0 MHz band may utilize additional features of the MES.

4.2.6.3 Conformance test

Conformance tests shall be carried out in accordance with clause 5.2.5.4.1.

5 Testing for compliance with technical requirements

5.1 Environmental conditions for testing

Tests defined in the present document shall be carried out at representative points within the boundary limits of the declared environmental profile.

Table 6: Void

5.2.1.4.2.2 Test modulating signal

The test modulating signal is a baseband signal which modulates the carrier of the MES and is dependent upon the type of equipment under test. It is a signal representing a pseudorandom bit sequence of at least 511 bits in accordance with ITU-T Recommendation O.153 [4]. This sequence shall be continuously repeated and shall be at the maximum bit rate declared by the applicant at which the MES is able to operate.

If not internally generated by the MES, this test modulating signal shall be provided by the STE.

5.2.1.4.3 Laboratory Test Equipment (LTE)

The Laboratory Test Equipment (LTE) is a logical grouping that contains the measurement equipment provided by the test laboratory.

It shall be verified that the responses of the LTE, including any test antenna, to a constant amplitude sine wave signal remain within ± 1 dB of calibration across the frequency range of interest.

The maximum values of measurement uncertainty for the LTE associated with each measurement parameter given in table 7 for a 95 % confidence level, shall apply as appropriate to the test cases described in the present document.

Table 7: Measurement uncertainties

Measured parameter	Measurement uncertainty
Radio Frequency above 1 MHz	± 1 part in 10^7
EIRP spectral density within the operational frequency range(s)	$\pm 0,75$ dB
Unwanted radiated emissions	± 6 dB
Unwanted conducted emissions	± 4 dB

5.2.1.4.4 Methods of test for MES RF emissions according to the equipment type

Measurements shall be performed according to the equipment type as defined in table 8.

Table 8: Options for testing

Equipment with passive antenna port available (external, internal or temporary)	Radiated from cabinet from 30 MHz to 4 GHz (passive antenna port connected to a dummy load), and conducted from the passive antenna port, from 100 kHz to 12,75 GHz.
Equipment with no passive antenna port available (see note)	Radiated from complete MES, including its antenna, from 30 MHz to 12,75 GHz.
NOTE: Equipment with an active antenna shall be assumed to have no antenna port available.	

The methods of measurement for radiated emissions are described in clause 5.2.1.4.5.

The methods of measurement for conducted emissions are described in clause 5.2.1.4.6.

5.2.1.4.5 Procedures for measurement of radiated emissions

5.2.1.4.5.1 General

Clause 5.2.1.4.5 contains methods for tests involving the measurement of a radiated field. This field may be radiated by an antenna and/or by the cabinet of the equipment itself.

It is recognized that for some parameters, alternative test methods may exist. It is the responsibility of the test laboratory to ensure that any alternative test method used yields results identical to those described in the present document.

5.2 Essential radio test suites

5.2.1 General

5.2.1.1 Description of equipment

The applicant shall provide a statement which contains all of the information related to the MES and its testing environment.

This shall include:

- self contained or host-connected;
- single mode or multimode;
- antenna:
 - ~~active; or~~
 - passive, with an antenna port available; or
 - passive, no antenna port available;
- the method by which the equipment can be switched into its test modes;
- the fault conditions which cause transmission shut-down;
- the nominal, the lower extreme and the higher extreme operational voltages;
- the transmission formats for which the different EIRP spectral density limits apply and the maximum gross data rate at which the MES is designed to operate for each of those formats;
- the value(s) of nominated bandwidth for each transmission format for that S-PCN;
- the value(s) of the 3 dB bandwidth for each transmission format for that S-PCN;
- in an information leaflet, for each S-PCN for which the MES is designed to operate:
 - a) the name of the S-PCN;
 - b) the operating frequency range(s) of the MES;
 - c) the frequency sub-bands and operating conditions for which the different EIRP spectral density limits ~~apply~~

NOTE 1: In the case of a multimode MES, the other modes of operation ~~are to~~ be stated.

NOTE 2: If the MES has an active antenna, the antenna is regarded as an integral part of the MES and the antenna port if available ~~is not to~~ be used for testing.

NOTE 3: If the MES is intended for use with a passive antenna, the maximum gain of any antenna intended to be used with the equipment is to be stated.

NOTE 4: If conducted emissions measurements are to be performed, at the choice of the applicant, the maximum antenna gain at the frequency of particular measured spurious emissions may be stated.

NOTE 5: If Special Test Equipment (STE) is ~~required~~, see clause 5.2.1.4.2.

NOTE 6: Transmission formats include all relevant differences in the format of the transmitted data e.g. the different modulations schemes and/or burst sizes that are used within the relevant S-PCN.

5.2.1.4.5.2 Test site

The standard test site shall be a calibrated open air test site, whose dimensions are appropriate to the frequency range of measurements according to the specification of CISPR 16-4 [5].

All radiated measurement tests shall be conducted in such a way as to ensure that there is no interference to operational satellite and terrestrial systems. In some cases operating on a test site may produce electromagnetic perturbation or, conversely, external radiation may disturb the measurement. For these reasons, and also in order to reduce the space required, or to perform tests under extreme environmental conditions, other arrangements may be used, such as:

- anechoic chamber;
- indoor test site.

In addition, it shall be verified that the test site shall be suitable with respect to ambient noise which shall be at least 6 dB lower than the lowest specification value being measured.

The methods of measurement described in this annex are based on an open air test site. If an anechoic chamber or an indoor test site are used, some changes may apply to the method of measurement. For each radiated measurement, the nature and the dimensions of the test arrangement used shall be recorded in the test report.

5.2.1.4.5.3 Test set up for radiated emissions of the MES

The tests shall be carried out with the MES at the specified environmental conditions and for the specified power supply voltages.

For IE, EME and IME it shall be installed with a separation of approximately 0,5 m. Between the two equipment, the maximum length connection cable specified by the applicant shall be installed. The height of the cable shall be between 0,5 m and 1 m. The cable shall be maintained in that position by non-metallic means. The EME shall be set, in its normal operating configuration on a non-conducting support at a height between 0,5 m and 1 m. The IME shall be set on a non-conducting support at a height between 0,5 m and 1 m. Any associated equipment, if required for normal operation of the MES, shall be placed next to, and at the same height as the IME.

For PE, the equipment shall be arranged in its normal operating configuration as recommended by the applicant on a non-metallic table at a height between 0,5 m and 1 m.

The MES under test shall be placed on the support in its standard position and shall be switched-on.

Each antenna (MES antenna and test antenna) shall be positioned to be outside the near field of the other antenna.

The spectrum analyser noise floor shall be at least 6 dB below the minimum value to be measured.

5.2.1.4.5.4 Reference position of the MES

During radiated measurements, the MES is required to be oriented specifically in relation to the test antenna connected to the LTE. This position is called the reference position and is determined as follows:

- the MES shall be placed in a mode whereby it is transmitting;
- the MES shall be rotated in both horizontal and vertical planes in order to locate the direction of maximum field strength that is detected by the test antenna. This orientation shall be called the reference position.

5.2.1.2 Testing of host-connected equipment and plug-in modules

5.2.1.2.1 Alternative approaches

For equipment for which connection to or integration with host equipment is required to offer functionality, two alternative approaches are permitted. The applicant shall declare which alternative shall be used.

5.2.1.2.2 Alternative A: combined equipment

Under alternative A, a combination of MES and a specific type of host equipment shall be used for testing according to the present document.

Where more than one such combination is intended, testing shall not be repeated for combinations of MES and other host equipment where the latter are substantially similar, in particular such that the host models are unlikely to significantly influence the emissions of the MES.

Where more than one such combination is intended and host equipment are not substantially similar, one combination shall be tested against the full set of requirements of the present document; other combinations shall be tested separately for radiated emissions only.

5.2.1.2.3 Alternative B: use of a test jig

Under alternative B, where the MES is intended for use with a variety of host equipment, the applicant shall supply a suitable test jig that is representative of the range of host equipment in which the MES may be used. In particular, the test jig shall be designed such that any alteration of the MES's emissions is minimized. The test jig shall allow the MES part to be powered and stimulated in a way similar to the way it would be powered and stimulated when connected to or inserted into the host equipment.

The MES shall be tested against the full set of requirements of the present document.

5.2.1.3 CMF/Special Test Equipment (STE)

The STE shall provide the necessary facilities for tests which require that the MES be operated in its normal operating manner, situated in an environment where receipt of the appropriate network control channel(s) and of NCF commands is under the control of the test laboratory.

The STE shall also provide means for the test laboratory to interface its test equipment with the MES for the purpose of monitoring the MES responses.

For other tests, where the required test mode cannot be, or is not, provided by a special test facility within the MES, then the STE shall also provide the facility to put the MES into these required test modes.

5.2.1.4 General test requirements

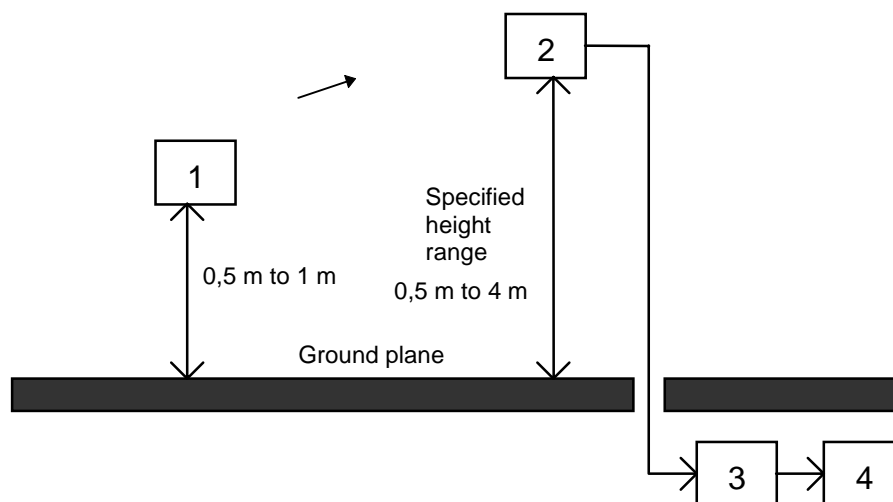
5.2.1.4.1 MES test modes

The MES is required to be placed in a number of different test modes in order for the various tests specified within the present document to be carried out:

- 1) power-off;
- 2) power-on (applies to all the following test modes);
- 3) carrier-off state;
- 4) carrier-on state, maximum transmit power, in a specified channel within the operational frequency range(s), transmitting with a specified transmission format and modulated with the test modulating signal as specified in clause 5.2.1.4.2.2;
- 5) carrier-on state, maximum transmit power, in a specified channel within the operational frequency range(s), set by NCF command, transmitting with a specified transmission format and modulated with the test modulating signal as specified in clause 5.2.1.4.2.2;

5.2.1.4.5.5 Measurement procedure for radiated emissions (peak)

5.2.1.4.5.5.1 Measurement procedure for peak radiated emissions of the MES



Key:

- 1) MES under test (with antenna);
- 2) Test antenna;
- 3) Input filter (if necessary);
- 4) Spectrum analyser.

Figure 3: Measurement arrangement No.1

Measurement arrangement No.1 of figure 3 shall be used.

- a) For each measurement bandwidth, the following actions shall be performed:
 - The MES shall be placed in the reference position as described in clause 5.2.1.4.5.4.
 - The test antenna shall have the same polarization as the MES and connected to a spectrum analyser, eventually through a suitable entry filter to avoid overloading of the spectrum analyser.
 - Precautions may be required to ensure that the filter does not attenuate the harmonics of the carrier.
 - The test antenna and the entry filter shall be suitable for the measured frequency band, and replaced by other each time it will be necessary.
 - The spectrum analyser shall be tuned to the measurement bandwidth to analyse.
 - The resolution bandwidth of the spectrum analyser shall be set to a suitable value to correctly perform the measurement, and the peak hold function shall be activated. The video bandwidth shall be set to at least 3 times the resolution bandwidth.
- b) Only the discrete signals having a level equal or greater than 6 dB below the specified limit shall be precisely measured.
 - The test antenna shall be raised or lowered through the specified height range to look for the maximum signal on the spectrum analyser (this may not be necessary if the test site is an anechoic chamber or an indoor test site).
 - The maximum measured value shall be recorded.
- c) The procedure is repeated from a) to b) with the other measurement bandwidths to cover all the frequency range to be analysed.
- d) In the case where the test site has been calibrated before, the absolute measurement is sufficient to determine the actual value of EIRP of the radiated emissions. The precise knowledge of distance between the MES and the test antenna, and the characteristics of the test antenna and the input filter allow the determination of the EIRP radiated by the MES.

NOTE: If this is available for all tests (4) is not required separately.

6) carrier-on state at any detectable power.

The MES may be placed into test modes 4 and 5 either by means of a special facility existing internally in the MES, or by means of a Special Test Equipment (STE).

If the MES has been modified by the applicant for these tests, then full documentation showing such modification(s) shall be provided to demonstrate that the modification(s) will not cause the test results to deviate from normal operational performance.

5.2.1.4.2 Special Test Equipment (STE)

5.2.1.4.2.1 Use of STE for control and monitoring functions tests

The test arrangement shall be as shown in figure 2 for radiated and conducted measurements.

This test arrangement assumes that the STE is responsible for simulating for the MES the NCF commands or network control channel in the same way as they are received by the MES in normal operating mode. The response received by the STE from the MES shall be routed to the LTE without modification that would significantly affect the measurement.

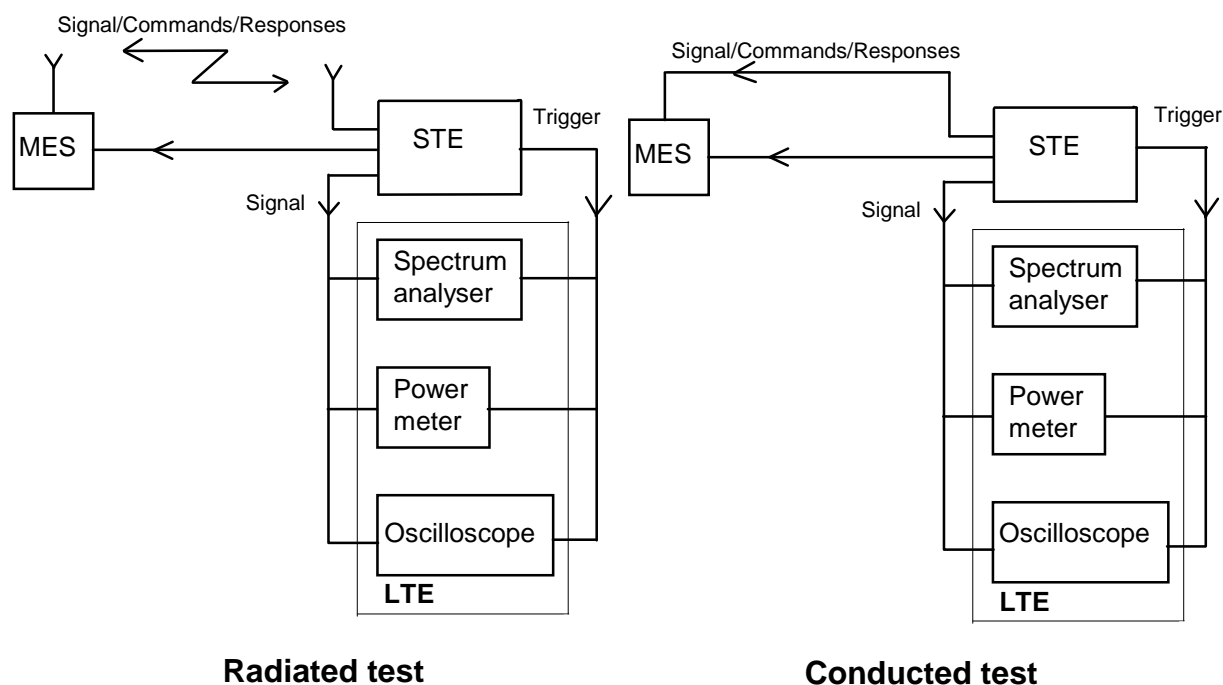


Figure 2: General test arrangement for control and monitoring tests

The dual trace storage oscilloscope, or other suitable method, may be used to monitor the response of the MES to the simulated events by measuring the time difference between the event or command reception, and the compliance with that event.

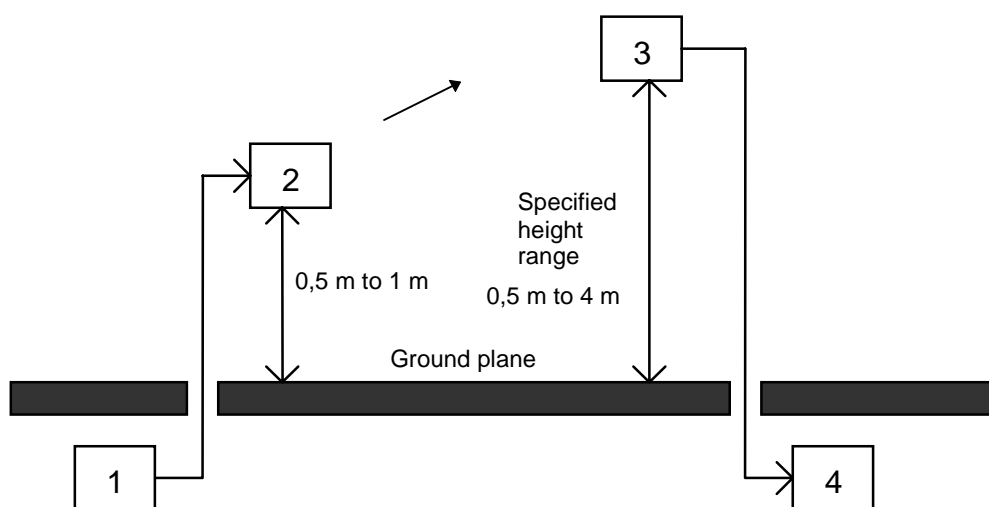
The power meter and spectrum analyser shall be used to monitor the MES output signal during all the test procedure.

5.2.1.4.2.2 Test modulating signal

The test modulating signal is a baseband signal which modulates the carrier of the MES and is dependent upon the type of equipment under test. It is a signal representing a pseudorandom bit sequence of at least 511 bits in accordance with ITU-T Recommendation O.153 [4]. This sequence shall be continuously repeated and shall be at the maximum bit rate declared by the applicant at which the MES is able to operate.

If not internally generated by the MES, this test modulating signal shall be provided by the STE.

- e) In the case where the test site cannot be calibrated, a relative measurement can be done according to the following procedure:



Key:

- 1) Sinusoidal RF signal generator;
- 2) Substitution antenna;
- 3) Test antenna;
- 4) Spectrum analyser.

Figure 4: Measurement arrangement No.2

Using measurement arrangement No.2 of figure 4, a substitution antenna shall replace the MES in the same position where was the MES antenna. It shall be connected to the signal generator.

- f) The signal generator shall be tuned to each frequency at which an emission has been detected in the case of unwanted emissions measurement, or to the frequency at the middle of each measurement bandwidth in the case of EIRP spectral density measurement, the substitution antenna shall be suitable for this frequency.
- The spectrum analyser shall be tuned to the measurement bandwidth to analyse and put in the same conditions as for the measurement with the MES, with the peak hold function activated.
 - The level of the signal generator shall be adjusted to give the same signal level on the spectrum analyser as in b).
 - The output level of the signal generator shall be recorded. This value, after corrections due to the gain of the substitution antenna and the cable loss between the signal generator and the substitution antenna, is the radiated emission level of the MES.
- g) The f) procedure is repeated with the other measurement bandwidths to cover the whole frequency range to be analysed.
- h) a) to g) shall be repeated with test antennas of the opposite polarization for the unwanted emission measurements.

5.2.1.4.3 Laboratory Test Equipment (LTE)

The Laboratory Test Equipment (LTE) is a logical grouping that contains the measurement equipment provided by the test laboratory.

It shall be verified that the responses of the LTE, including any test antenna, to a constant amplitude sine wave signal remain within ± 1 dB of calibration across the frequency range of interest.

The maximum values of measurement uncertainty for the LTE associated with each measurement parameter given in table 7 for a 95 % confidence level, shall apply as appropriate to the test cases described in the present document.

Table 7: Measurement uncertainties

Measured parameter	Measurement uncertainty
Radio Frequency above 1 MHz	± 1 part in 10^7
EIRP spectral density within the operational frequency range(s)	$\pm 0,75$ dB
Unwanted radiated emissions	± 6 dB
Unwanted conducted emissions	± 4 dB

5.2.1.4.4 Methods of test for MES RF emissions according to the equipment type

Measurements shall be performed according to the equipment type as defined in table 8.

Table 8: Options for testing

Equipment with passive antenna port available (external, internal or temporary)	Radiated from cabinet from 30 MHz to 4 GHz (passive antenna port connected to a dummy load), and conducted from the passive antenna port, from 100 kHz to 12,75 GHz.
Equipment with no passive antenna port available (see note)	Radiated from complete MES, including its antenna, from 30 MHz to 12,75 GHz.
NOTE: Equipment with an active antenna shall be assumed to have no antenna port available.	

The methods of measurement for radiated emissions are described in clause 5.2.1.4.5.

The methods of measurement for conducted emissions are described in clause 5.2.1.4.6.

5.2.1.4.5 Procedures for measurement of radiated emissions

5.2.1.4.5.1 General

Clause 5.2.1.4.5 contains methods for tests involving the measurement of a radiated field. This field may be radiated by an antenna and/or by the cabinet of the equipment itself.

It is recognized that for some parameters, alternative test methods may exist. It is the responsibility of the test laboratory to ensure that any alternative test method used yields results identical to those described in the present document.

5.2.1.4.5.2 Test site

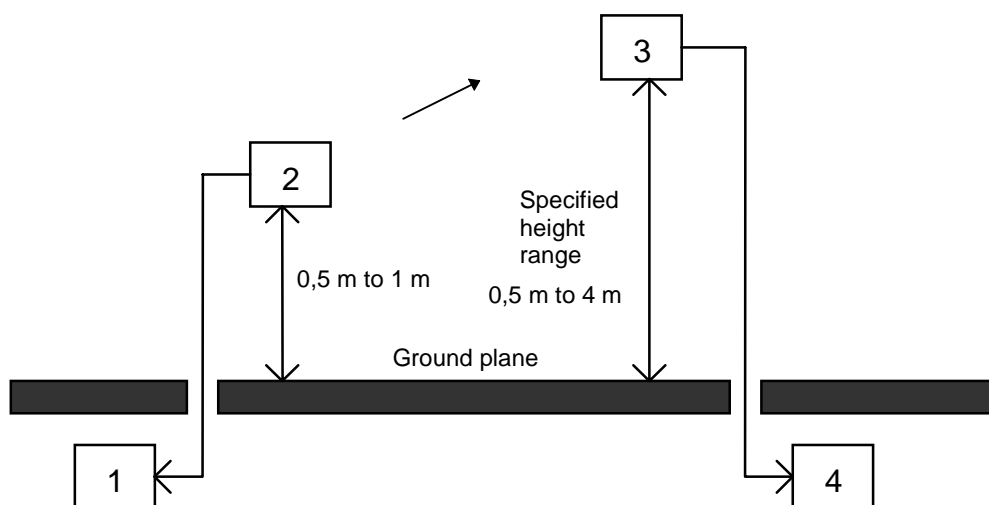
The standard test site shall be a calibrated open air test site, whose dimensions are appropriate to the frequency range of measurements according to the specification of CISPR 16-1-4 [5].

All radiated measurement tests shall be conducted in such a way as to ensure that there is no interference to operational satellite and terrestrial systems. In some cases operating on a test site may produce electromagnetic perturbation or, conversely, external radiation may disturb the measurement. For these reasons, and also in order to reduce the space required, or to perform tests under extreme environmental conditions, other arrangements may be used, such as:

- anechoic chamber;
- indoor test site.

5.2.1.4.5.5.2 Measurement procedure for peak radiated emissions of the cabinet

This method of measurement applies to transmitters having an antenna socket and has to be performed in addition to conducted measurements of the MES in the case of unwanted emissions.



Key:

- 1) Test load;
- 2) MES under test (antenna port connected to the test load);
- 3) Test antenna;
- 4) Spectrum analyser.

Figure 5: Measurement arrangement No.3

Measurement arrangement No.3 of figure 5 shall be used for measurement of radiated emissions of the cabinet.

The procedure is a peak measurement as in clause 5.2.1.4.5.5.1.

The same method as in clause 5.2.1.4.5.5.1 shall be applied with the exception that measurement arrangement No.3 replaces measurement arrangement No.1 (measurement arrangement No.2 remains the same for the relative measurement).

5.2.1.4.5.6 Measurement procedure for radiated emissions (average)

5.2.1.4.5.6.1 Measurement procedure for average radiated emissions of the MES

Measurement arrangement No.1 of figure 3 shall be used.

- a) For each measurement bandwidth, the following actions shall be performed:
 - the MES shall be placed in the reference position as described in clause 5.2.1.4.5.4;
 - the test antenna shall have the same polarization as the MES and connected to a spectrum analyser, eventually through a suitable entry filter to avoid overloading of the spectrum analyser;
 - precautions may be required to ensure that the filter does not attenuate the harmonics of the carrier;
 - the test antenna and the entry filter shall be suitable for the measured frequency band, and replaced by other each time it will be necessary;
 - the spectrum analyser shall be tuned to the measurement bandwidth to analyse;
 - the resolution bandwidth of the spectrum analyser shall be set to a suitable value to correctly perform the measurement, and the average function shall be activated. The video bandwidth shall be set to the same value as the resolution bandwidth.

In addition, it shall be verified that the test site shall be suitable with respect to ambient noise which shall be at least 6 dB lower than the lowest specification value being measured.

The methods of measurement described in this annex are based on an open air test site. If an anechoic chamber or an indoor test site are used, some changes may apply to the method of measurement. For each radiated measurement, the nature and the dimensions of the test arrangement used shall be recorded in the test report.

5.2.1.4.5.3 Test set up for radiated emissions of the MES

The tests shall be carried out with the MES at the specified environmental conditions and for the specified power supply voltages.

For IE, EME and IME it shall be installed with a separation of approximately 0,5 m. Between the two equipment, the maximum length connection cable specified by the applicant shall be installed. The height of the cable shall be between 0,5 m and 1 m. The cable shall be maintained in that position by non-metallic means. The EME shall be set, in its normal operating configuration on a non-conducting support at a height between 0,5 m and 1 m. The IME shall be set on a non-conducting support at a height between 0,5 m and 1 m. Any associated equipment, if required for normal operation of the MES, shall be placed next to, and at the same height as the IME.

For PE, the equipment shall be arranged in its normal operating configuration as recommended by the applicant on a non-metallic table at a height between 0,5 m and 1 m.

The MES under test shall be placed on the support in its standard position and shall be switched-on.

Each antenna (MES antenna and test antenna) shall be positioned to be outside the near field of the other antenna.

The spectrum analyser noise floor shall be at least 6 dB below the minimum value to be measured.

5.2.1.4.5.4 Reference position of the MES

During radiated measurements, the MES is required to be oriented specifically in relation to the test antenna connected to the LTE. This position is called the reference position and is determined as follows:

- the MES shall be placed in a mode whereby it is transmitting;
- the MES shall be rotated in both horizontal and vertical planes in order to locate the direction of maximum field strength that is detected by the test antenna. This orientation shall be called the reference position.

- b) The test antenna shall be raised or lowered through the specified height range to look for the maximum received signal on the spectrum analyser (this step may not be necessary if the test site is an anechoic chamber or an indoor test site).
 - The EIRP shall be averaged until the variance over the measured bandwidth is less than 1 dB. The averaged value shall be recorded.
- c) The procedure shall be repeated from a) to b) with the other measurement bandwidths to cover the whole frequency range to be analysed.
- d) In the case where the test site has been calibrated before, the absolute measurement is sufficient to determine the actual value of EIRP of the radiated emissions. The precise knowledge of distance between the MES and the test antenna, the characteristics of the test antenna and the input filter allow the determination of the EIRP radiated by the MES.
- e) In the case where the test site cannot be calibrated, a relative measurement can be done according to the following procedure:
 - using measurement arrangement No.2 of figure 4, a substitution antenna shall replace the MES in the same position where was the MES antenna. It shall be connected to the signal generator.
- f) The signal generator shall be tuned to the centre frequency of each measurement bandwidth. The substitution antenna shall be suitable for this frequency.
 - The spectrum analyser shall be tuned to the measurement bandwidth to analyse and put in the same conditions as for the measurement with the MES with the average function activated.
 - The level of the signal generator shall be adjusted to give the same signal level on the spectrum analyser as in b) when averaged until the variance over the measured bandwidth is less than 1 dB. The output level of the signal generator shall be recorded.
 - This value, after corrections due to the gain of the substitution antenna and the cable loss between the signal generator and the substitution antenna, is the radiated emission level of the MES.
- g) The f) procedure shall be repeated with the other measurement bandwidths to cover the whole frequency range to be analysed.
- h) a) to g) shall be repeated with test antennas of the opposite polarization for the unwanted emission measurements.

5.2.1.4.5.6.2 Measurement procedure for average radiated emissions of the cabinet

This method of measurement applies to transmitters having an antenna socket and has to be performed in addition to conducted measurements of the MES for unwanted emissions.

Measurement arrangement No.3 of figure 5 shall be used for measurement of radiated emissions of the cabinet.

The procedure is an average measurement as in clause 5.2.1.4.5.6.1.

The same method as in clause 5.2.1.4.5.6.1 shall be applied with the exception that measurement arrangement No.3 replaces measurement arrangement No.1 (measurement arrangement No.2 remains the same for the relative measurement).

5.2.1.4.6 Procedures for measurement of conducted emissions

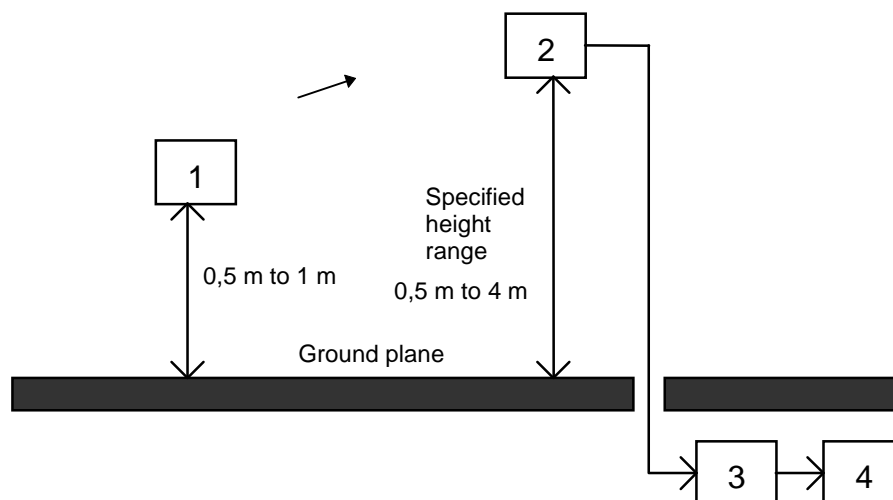
5.2.1.4.6.1 General

Clause 5.2.1.4.6 contains the procedure for conducted emission measurements.

It is recognized that for some parameters, alternative test methods may exist. It is the responsibility of the test laboratory to ensure that any alternative test method used yields results identical to those described in the present document.

5.2.1.4.5.5 Measurement procedure for radiated emissions (peak)

5.2.1.4.5.5.1 Measurement procedure for peak radiated emissions of the MES



Key:

- 1) MES under test (with antenna);
- 2) Test antenna;
- 3) Input filter (if necessary);
- 4) Spectrum analyser.

Figure 3: Measurement arrangement No.1

Measurement arrangement No.1 of figure 3 shall be used.

- a) For each measurement bandwidth, the following actions shall be performed:
 - The MES shall be placed in the reference position as described in clause 5.2.1.4.5.4.
 - The test antenna shall have the same polarization as the MES and connected to a spectrum analyser, eventually through a suitable entry filter to avoid overloading of the spectrum analyser.
 - Precautions may be required to ensure that the filter does not attenuate the harmonics of the carrier.
 - The test antenna and the entry filter shall be suitable for the measured frequency band, and replaced by other each time it will be necessary.
 - The spectrum analyser shall be tuned to the measurement bandwidth to analyse.
 - The resolution bandwidth of the spectrum analyser shall be set to a suitable value to correctly perform the measurement, and the peak hold function shall be activated. The video bandwidth shall be set to at least 3 times the resolution bandwidth.
- b) Only the discrete signals having a level equal or greater than 6 dB below the specified limit shall be precisely measured.
 - The test antenna shall be raised or lowered through the specified height range to look for the maximum signal on the spectrum analyser (this may not be necessary if the test site is an anechoic chamber or an indoor test site).
 - The maximum measured value shall be recorded.
- c) The procedure is repeated from a) to b) with the other measurement bandwidths to cover all the frequency range to be analysed.
- d) In the case where the test site has been calibrated before, the absolute measurement is sufficient to determine the actual value of EIRP of the radiated emissions. The precise knowledge of distance between the MES and the test antenna, and the characteristics of the test antenna and the input filter allow the determination of the EIRP radiated by the MES.

5.2.1.4.6.2 Test site

There are no specific requirements for the test site for conducted measurements except that they shall be performed in such a way as to ensure that there is no interference to operational satellite and terrestrial systems.

5.2.1.4.6.3 Test set-up

Measurement arrangement of figure 6 shall be used.

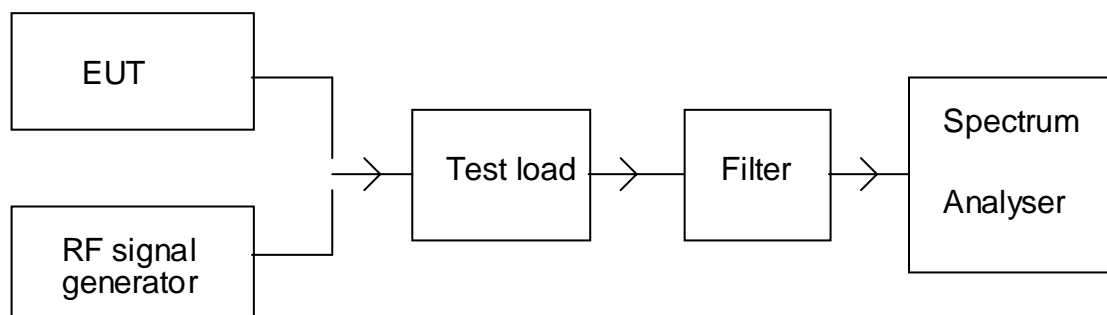


Figure 6: Measurement arrangement for conducted emissions

The antenna port of the MES shall be connected to a spectrum analyser through a test load and eventually an appropriate filter to avoid overloading of the spectrum analyser.

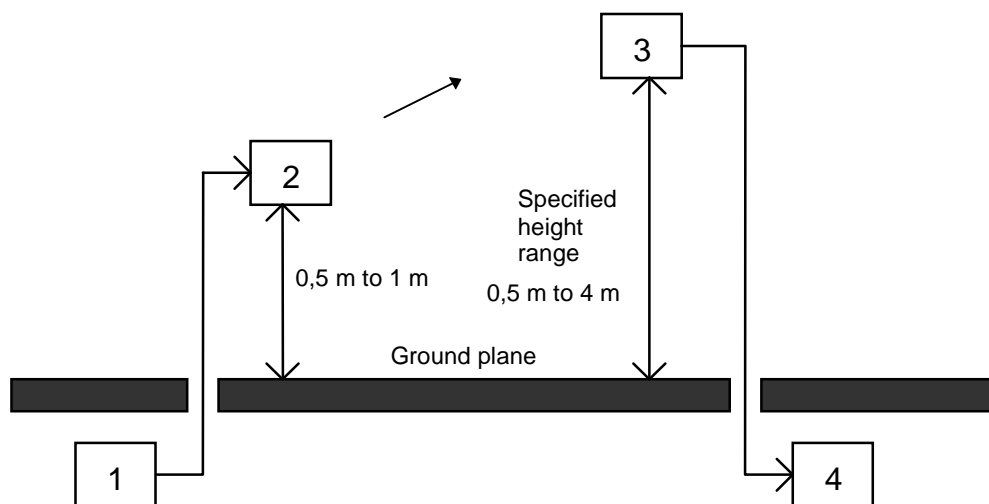
Precautions may be required to ensure that the test load does not generate or that the filter does not attenuate, the harmonics of the carrier. The entry filter shall be suitable for the measured frequency band, and replaced by another each time it will be necessary.

The spectrum analyser noise floor shall be at least 6 dB below the minimum value to be measured.

5.2.1.4.6.4 Measurement procedure for conducted emissions (peak)

- a) For each measurement bandwidth, the following actions shall be performed:
 - The spectrum analyser shall be tuned to the measurement bandwidth to analyse.
 - The resolution bandwidth of the spectrum analyser shall be set to a suitable value to correctly perform the measurement, and the peak hold function shall be activated. The video bandwidth shall be set to at least 3 times the resolution bandwidth.
- b) The peak power detected value of each discrete signal having a level equal or greater than 6 dB below the specified limit shall be recorded.
 - In the case of EIRP spectral density measurement within the nominated bandwidth, the peak power density value within the measurement bandwidth shall be recorded.
- c) The procedure shall be repeated from a) to b) with the other measurement bandwidths to cover all the spectrum band(s) which are required to be measured.
- d) The actual value of EIRP of the equivalent radiated emissions in each measurement bandwidth shall be derived by adding either the MES maximum antenna gain or the declared gain at the spurious emission frequency to the power value read from the spectrum analyser.

- e) In the case where the test site cannot be calibrated, a relative measurement can be done according to the following procedure:



Key:

- 1) Sinusoidal RF signal generator;
- 2) Substitution antenna;
- 3) Test antenna;
- 4) Spectrum analyser.

Figure 4: Measurement arrangement No.2

Using measurement arrangement No.2 of figure 4, a substitution antenna shall replace the MES in the same position where was the MES antenna. It shall be connected to the signal generator.

- f) The signal generator shall be tuned to each frequency at which an emission has been detected in the case of unwanted emissions measurement, or to the frequency at the middle of each measurement bandwidth in the case of EIRP spectral density measurement, the substitution antenna shall be suitable for this frequency.
- The spectrum analyser shall be tuned to the measurement bandwidth to analyse and put in the same conditions as for the measurement with the MES, with the peak hold function activated.
 - The level of the signal generator shall be adjusted to give the same signal level on the spectrum analyser as in b).
 - The output level of the signal generator shall be recorded. This value, after corrections due to the gain of the substitution antenna and the cable loss between the signal generator and the substitution antenna, is the radiated emission level of the MES.
- g) The f) procedure is repeated with the other measurement bandwidths to cover the whole frequency range to be analysed.
- h) a) to g) shall be repeated with test antennas of the opposite polarization for the unwanted emission measurements.

5.2.1.4.6.5 Measurement procedure for conducted emissions (average)

- a) For each measurement bandwidth, the following actions shall be performed:
 - The resolution bandwidth of the spectrum analyser shall be set to a suitable value to correctly perform the measurement, and the average function shall be activated. The video bandwidth shall be set to the same value as the resolution bandwidth.
 - The measurement time should be such that the difference of the measured levels, averaged over subsequent measurement samples, is less than 1 dB, or a measurement time of 100 ms may be used if the measured values comply with the applicable limits.
- b) The averaged power density value within the measured bandwidth shall be recorded.
- c) The procedure shall be repeated from a) to b) with the other measurement bandwidths to cover the whole frequency range to be analysed.
- d) The actual value of EIRP of the radiated emissions in each measurement bandwidth shall be derived by adding the MES maximum antenna gain measured at the normal operating frequency to the power spectral density value read from the spectrum analyser.

5.2.1.4.7 Interpretation of the measurement results

The interpretation of the results for the measurements described in the present document shall be as follows:

- a) the measured value related to the corresponding limit shall be used to decide whether an equipment meets the minimum requirements of the ~~standard~~;
- b) the actual measurement uncertainty of the test laboratory carrying out the measurement, for each particular measurement, shall be included in the test report;
- c) the values of the actual measurement uncertainty shall be, for each measurement, equal to or lower than the figures in clause 5.2.1.4.3.

5.2.1.4.8 Test report

All results of the tests performed shall be recorded in a test report.

For each test, the test report shall also include the test conditions (status of the MES, frequency of operation), the measurement uncertainties and the environmental test conditions.

5.2.2 Unwanted emissions outside the band 1 626,5 MHz to 1 660,5 MHz (carrier-on state)

5.2.2.1 Method of test

This test shall be carried out for the minimum and for the maximum MES transmit frequencies for which the MES is designed to operate, as specified by the applicant.

If the MES supports multiple transmission formats, each of the relevant transmission formats shall be tested at each frequency.

The transmit frequencies and the transmission formats used for the test shall be entered in the test report.

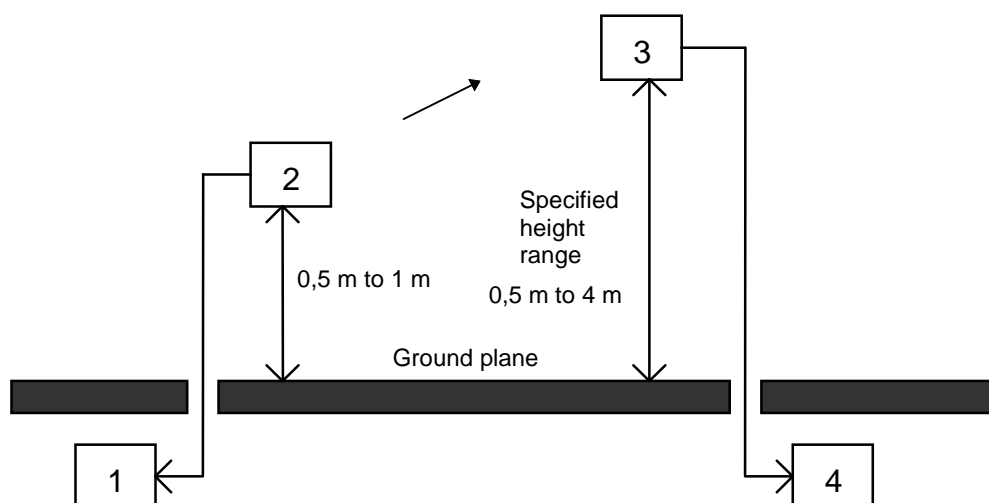
The environmental test conditions are given in clause 5.1.

For each test, the MES shall be set to transmit (carrier-on state) on one of the specified transmitting frequencies to be tested and in one of the specified transmission formats to be tested and shall be set to transmit at its maximum power for that transmit frequency and transmission format, by means of the STE or by another test facility provided by the applicant.

If there is a handover function in the MES (to allow change of frequency channel during a call), this function shall be disabled.

5.2.1.4.5.5.2 Measurement procedure for peak radiated emissions of the cabinet

This method of measurement applies to transmitters having an antenna socket and has to be performed in addition to conducted measurements of the MES in the case of unwanted emissions.



Key:

- 1) Test load;
- 2) MES under test (antenna port connected to the test load);
- 3) Test antenna;
- 4) Spectrum analyser.

Figure 5: Measurement arrangement No.3

Measurement arrangement No.3 of figure 5 shall be used for measurement of radiated emissions of the cabinet.

The procedure is a peak measurement as in clause 5.2.1.4.5.5.1.

The same method as in clause 5.2.1.4.5.5.1 shall be applied with the exception that measurement arrangement No.3 replaces measurement arrangement No.1 (measurement arrangement No.2 remains the same for the relative measurement).

5.2.1.4.5.6 Measurement procedure for radiated emissions (average)

5.2.1.4.5.6.1 Measurement procedure for average radiated emissions of the MES

Measurement arrangement No.1 of figure 3 shall be used.

- a) For each measurement bandwidth, the following actions shall be performed:
 - the MES shall be placed in the reference position as described in clause 5.2.1.4.5.4;
 - the test antenna shall have the same polarization as the MES and connected to a spectrum analyser, eventually through a suitable entry filter to avoid overloading of the spectrum analyser;
 - precautions may be required to ensure that the filter does not attenuate the harmonics of the carrier;
 - the test antenna and the entry filter shall be suitable for the measured frequency band, and replaced by other each time it will be necessary;
 - the spectrum analyser shall be tuned to the measurement bandwidth to analyse;
 - the resolution bandwidth of the spectrum analyser shall be set to a suitable value to correctly perform the measurement, and the average function shall be activated. The video bandwidth shall be set to the same value as the resolution bandwidth.

The transmitted carrier shall be modulated by a test signal as specified in clause 5.2.1.4.2.2.

In the test equipment, the spectrum analyser noise floor shall be at least 6 dB below the appropriate limits given in table 3.

The measurements are performed with the radiated or with the conducted method according to the cases defined in clause 5.2.1.4.4.

For measurements of radiated unwanted emissions, clause 5.2.1.4.5 applies.

For measurements of conducted unwanted emissions, clause 5.2.1.4.6 applies.

5.2.2.2 Peak measurement

In the case of peak measurement, the spectrum analyser shall be set in sweep mode and shall be operated under the following conditions:

- frequency sweep: as required for frequency range to be assessed;
- resolution bandwidth: measurement bandwidth specified in table 3;
- video bandwidth: at least three times the measurement bandwidth;
- averaging: no;
- peak hold: yes.

The sweep time shall be the shortest possible time consistent with proper calibration and ease of operation.

The spectrum analyser shall be stepped over the frequency ranges specified in table 3 for peak measurement.

The results obtained shall be compared to the limits in clause 4.2.1.2 in order to prove compliance with the requirement.

5.2.2.3 Average measurement

In the case of average measurement, the spectrum analyser shall be set in sweep mode and shall be operated under the following conditions:

- frequency sweep: as required for frequency range to be assessed;
- resolution bandwidth: measurement bandwidth specified in table 3;
- video bandwidth: equal to the measurement bandwidth;
- averaging: yes;
- peak hold: no.

The measurement time shall be such that the difference of the measured levels, averaged over subsequent measurement samples, is less than 1 dB.

For a MES operating in a non-continuous carrier mode, the measurement shall be performed over the active part of the transmitted bursts. The total sample time used for measurement shall be not less than 40 % of the duration of the active part of the transmitted burst. The measurement shall be made over the random part of the burst, excluding any preambles or synchronization sequences.

The spectrum analyser shall be stepped over the frequency ranges specified in table 3 for average measurement.

The results obtained shall be compared to the limits in clause 4.2.1.2 in order to prove compliance with the requirement.

- b) The test antenna shall be raised or lowered through the specified height range to look for the maximum received signal on the spectrum analyser (this step may not be necessary if the test site is an anechoic chamber or an indoor test site).
 - The EIRP shall be averaged until the variance over the measured bandwidth is less than 1 dB. The averaged value shall be recorded.
- c) The procedure shall be repeated from a) to b) with the other measurement bandwidths to cover the whole frequency range to be analysed.
- d) In the case where the test site has been calibrated before, the absolute measurement is sufficient to determine the actual value of EIRP of the radiated emissions. The precise knowledge of distance between the MES and the test antenna, the characteristics of the test antenna and the input filter allow the determination of the EIRP radiated by the MES.
- e) In the case where the test site cannot be calibrated, a relative measurement can be done according to the following procedure:
 - using measurement arrangement No.2 of figure 4, a substitution antenna shall replace the MES in the same position where was the MES antenna. It shall be connected to the signal generator.
- f) The signal generator shall be tuned to the centre frequency of each measurement bandwidth. The substitution antenna shall be suitable for this frequency.
 - The spectrum analyser shall be tuned to the measurement bandwidth to analyse and put in the same conditions as for the measurement with the MES with the average function activated.
 - The level of the signal generator shall be adjusted to give the same signal level on the spectrum analyser as in b) when averaged until the variance over the measured bandwidth is less than 1 dB. The output level of the signal generator shall be recorded.
 - This value, after corrections due to the gain of the substitution antenna and the cable loss between the signal generator and the substitution antenna, is the radiated emission level of the MES.
- g) The f) procedure shall be repeated with the other measurement bandwidths to cover the whole frequency range to be analysed.
- h) a) to g) shall be repeated with test antennas of the opposite polarization for the unwanted emission measurements.

5.2.1.4.5.6.2 Measurement procedure for average radiated emissions of the cabinet

This method of measurement applies to transmitters having an antenna socket and has to be performed in addition to conducted measurements of the MES for unwanted emissions.

Measurement arrangement No.3 of figure 5 shall be used for measurement of radiated emissions of the cabinet.

The procedure is an average measurement as in clause 5.2.1.4.5.6.1.

The same method as in clause 5.2.1.4.5.6.1 shall be applied with the exception that measurement arrangement No.3 replaces measurement arrangement No.1 (measurement arrangement No.2 remains the same for the relative measurement).

5.2.1.4.6 Procedures for measurement of conducted emissions

5.2.1.4.6.1 General

Clause 5.2.1.4.6 contains the procedure for conducted emission measurements.

It is recognized that for some parameters, alternative test methods may exist. It is the responsibility of the test laboratory to ensure that any alternative test method used yields results identical to those described in the present document.

5.2.2.4 Test requirements

For measurements of radiated unwanted emissions of the MES, the measured values shall in no case exceed the limits given in table 3.

For measurements of conducted unwanted emissions of the MES, the measured values plus the maximum antenna gain shall in no case exceed the limits given in table 3.

5.2.3 Unwanted emissions within the band 1 626,5 MHz to 1 660,5 MHz and the band 1 624,5 MHz to 1 626,5 MHz and 1 660,5 MHz to 1 662,5 MHz (carrier-on state)

5.2.3.1 Method of test

This test shall be carried out for the minimum and for the maximum MES transmit frequency for which the MES is designed to operate, as specified by the applicant.

If the MES supports multiple transmission formats, each of the relevant transmission formats shall be tested at each frequency.

The transmit frequencies and the transmission formats used for the test shall be entered in the test report.

The environmental test conditions are given in clause 5.1.

For each test, the MES shall be set to transmit (carrier-on state) on one of the specified transmitting frequencies to be tested and in one of the specified transmission formats to be tested and shall be set to transmit at its maximum power for that transmit frequency and transmission format, by means of the STE or by another test facility provided by the applicant.

If there is a handover function in the MES (to allow change of frequency channel during a call), this function shall be disabled.

The transmitted carrier shall be modulated by a test signal at maximum rate as specified in clause 5.2.1.4.2.2.

In the test equipment, the spectrum analyser noise floor shall be at least 6 dB below the appropriate limits given in tables 3, 4a and 4b.

The measurements are performed with the radiated or with the conducted method according to the cases defined in clause 5.2.1.4.4.

For measurements of radiated unwanted emissions, clause 5.2.1.4.5 applies.

For measurements of conducted unwanted emissions, clause 5.2.1.4.6 applies.

5.2.3.2 Measurement method

The spectrum analyser shall be set in sweep mode and shall be operated under the following conditions:

- frequency sweep: as required for frequency range to be assessed;
- resolution bandwidth: measurement bandwidth specified in tables 3, 4a and 4b;
- video bandwidth: equal to the measurement bandwidth;
- averaging: yes;
- peak hold: no.

The measurement time should be such that the difference of the measured levels, averaged over subsequent measurement samples, is less than 1 dB.

5.2.1.4.6.2 Test site

There are no specific requirements for the test site for conducted measurements except that they shall be performed in such a way as to ensure that there is no interference to operational satellite and terrestrial systems.

5.2.1.4.6.3 Test set-up

Measurement arrangement of figure 6 shall be used.

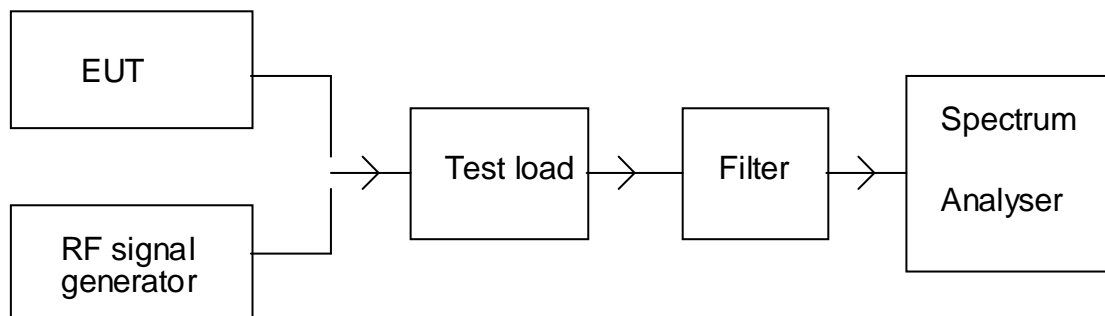


Figure 6: Measurement arrangement for conducted emissions

The antenna port of the MES shall be connected to a spectrum analyser through a test load and eventually an appropriate filter to avoid overloading of the spectrum analyser.

Precautions may be required to ensure that the test load does not generate or that the filter does not attenuate, the harmonics of the carrier. The entry filter shall be suitable for the measured frequency band, and replaced by another each time it will be necessary.

The spectrum analyser noise floor shall be at least 6 dB below the minimum value to be measured.

5.2.1.4.6.4 Measurement procedure for conducted emissions (peak)

- a) For each measurement bandwidth, the following actions shall be performed:
 - The spectrum analyser shall be tuned to the measurement bandwidth to analyse.
 - The resolution bandwidth of the spectrum analyser shall be set to a suitable value to correctly perform the measurement, and the peak hold function shall be activated. The video bandwidth shall be set to at least 3 times the resolution bandwidth.
- b) The peak power detected value of each discrete signal having a level equal or greater than 6 dB below the specified limit shall be recorded.
 - In the case of EIRP spectral density measurement within the nominated bandwidth, the peak power density value within the measurement bandwidth shall be recorded.
- c) The procedure shall be repeated from a) to b) with the other measurement bandwidths to cover all the spectrum band(s) which are required to be measured.
- d) The actual value of EIRP of the equivalent radiated emissions in each measurement bandwidth shall be derived by adding either the MES maximum antenna gain or the declared gain at the spurious emission frequency to the power value read from the spectrum analyser.

For a MES operating in a non-continuous carrier mode, the measurement shall be performed over the active part of the transmitted bursts. The total sample time used for measurement shall be not less than 40 % of the duration of the active part of the transmitted burst. The measurement shall be made over the random part of the burst, excluding any preambles or synchronization sequences.

For each of the transmit frequencies to be used for the test, measurements shall be made over the frequency ranges from $1\ 624,5\ \text{MHz}$ to $f_c - B_n / 2$ and from $f_c + B_n / 2$ to $1\ 662,5\ \text{MHz}$, $f_c - B_n / 2$ being the lower boundary frequency of the nominated bandwidth for the transmit frequency being tested, and $f_c + B_n / 2$ being the upper boundary frequency of the nominated bandwidth for the transmit frequency being tested.

The results obtained shall be compared to the limits in clause 4.2.2.2 in order to prove compliance with the requirement.

5.2.3.3 Test requirements

For measurements of radiated unwanted emissions of the MES, the measured values shall in no case exceed the limits given in tables 3, 4a and 4b over the frequency range $1\ 624,5\ \text{MHz}$ to $1\ 662,5\ \text{MHz}$.

For measurements of conducted unwanted emissions, the measured values plus the maximum antenna gain, shall in no case exceed the limits given in tables 3, 4a and 4b over the frequency range $1\ 624,5\ \text{MHz}$ to $1\ 662,5\ \text{MHz}$.

5.2.4 Unwanted emissions in carrier-off state

5.2.4.1 Method of test

The MES shall be switched-on and set in the carrier-off state.

If there is a periodic automatic transmission of bursts (e.g. for location updating), the STE shall provide a means to inhibit it, or to trigger the measurement in order to analyse only the non-transmitting periods.

The environmental test conditions are given in clause 5.1.

In the test equipment, the spectrum analyser noise floor shall be at least 6 dB below the appropriate limits given in table 5.

The measurements are performed with the radiated or with the conducted method according to the cases defined in clause 5.2.1.4.4.

For measurements of radiated unwanted emissions, clause 5.2.1.4.5 applies.

For measurements of conducted unwanted emissions, clause 5.2.1.4.6 applies.

5.2.4.2 Measurement method

The spectrum analyser shall be set in sweep mode and shall be operated under the following conditions:

- frequency sweep: as required for frequency range to be assessed;
- resolution bandwidth: measurement bandwidth specified in table 5;
- video bandwidth: at least 3 times the measurement bandwidth;
- averaging: no;
- peak hold: yes.

The sweep time shall be the shortest possible time consistent with proper calibration and ease of operation.

The spectrum analyser shall be stepped over the frequency ranges specified.

The results obtained shall be compared to the limits in clause 4.2.3.2 in order to prove compliance with the requirement.

5.2.1.4.6.5 Measurement procedure for conducted emissions (average)

- a) For each measurement bandwidth, the following actions shall be performed:
 - The resolution bandwidth of the spectrum analyser shall be set to a suitable value to correctly perform the measurement, and the average function shall be activated. The video bandwidth shall be set to the same value as the resolution bandwidth.
 - The measurement time should be such that the difference of the measured levels, averaged over subsequent measurement samples, is less than 1 dB, or a measurement time of 100 ms may be used if the measured values comply with the applicable limits.
- b) The averaged power density value within the measured bandwidth shall be recorded.
- c) The procedure shall be repeated from a) to b) with the other measurement bandwidths to cover the whole frequency range to be analysed.
- d) The actual value of EIRP of the radiated emissions in each measurement bandwidth shall be derived by adding the MES maximum antenna gain measured at the normal operating frequency to the power spectral density value read from the spectrum analyser.

5.2.1.4.7 Interpretation of the measurement results

The interpretation of the results for the measurements described in the present document shall be as follows:

- a) the measured value related to the corresponding limit shall be used to decide whether an equipment meets the minimum requirements of the present document;
- b) the actual measurement uncertainty of the test laboratory carrying out the measurement, for each particular measurement, shall be included in the test report;
- c) the values of the actual measurement uncertainty shall be, for each measurement, equal to or lower than the figures in clause 5.2.1.4.3.

5.2.1.4.8 Test report

All results of the tests performed shall be recorded in a test report.

For each test, the test report shall also include the test conditions (status of the MES, frequency of operation), the measurement uncertainties and the environmental test conditions.

5.2.2 Unwanted emissions outside the band 1 626,5 MHz to 1 660,5 MHz and outside the band 1 668,0 MHz to 1 675,0 MHz (carrier-on state)

5.2.2.1 Method of test

This test shall be carried out for the minimum and for the maximum MES transmit frequencies within each of the MES transmit sub-bands for which the MES is designed to operate, as specified by the applicant.

NOTE: For an MES capable of transmitting in both sub-band 1 or sub-band 2 as defined in table 1, this will require the minimum and maximum transmit frequencies in both sub-bands to be tested.

If the MES supports multiple transmission formats, each of the relevant transmission formats shall be tested at each frequency.

The transmit frequencies and the transmission formats used for the test shall be entered in the test report.

The environmental test conditions are given in clause 5.1.

For each test, the MES shall be set to transmit (carrier-on state) on one of the specified transmitting frequencies to be tested and in one of the specified transmission formats to be tested and shall be set to transmit at its maximum power for that transmit frequency and transmission format, by means of the STE or by another test facility provided by the applicant.

5.2.4.3 Test requirements

For measurements of radiated unwanted emissions of the MES, the measured values shall in no case exceed the limits given in table 5.

For measurements of conducted unwanted emissions of the MES, the measured values plus the maximum antenna gain shall in no case exceed the limits given in table 5.

5.2.5 MES Control and Monitoring Functions (CMF)

5.2.5.1 Self-monitoring functions/Processor monitoring

As it is considered impracticable to artificially induce processor faults in an MES, no test is given for the processor monitoring function.

5.2.5.2 Self-monitoring functions/Transmit frequency generation sub-system monitoring

As it is considered impracticable to artificially induce transmit frequency generation sub-system faults in an MES, no test is given for the transmit frequency generation sub-system monitoring function.

5.2.5.3 Network control authorization

5.2.5.3.1 Method of test

The MES shall be cycled through its power-on and power-off states. Attempts shall be made to initiate calls using normal user operational procedures. The transmitting state of the MES shall be monitored to ensure compliance with the test requirements.

The environmental test conditions are given in clause 5.1.

5.2.5.3.2 Test procedure

The MES shall be situated in an environment where receipt of the appropriate network control channel(s) is controlled by the test laboratory:

- a) the MES shall be in a power-off state, situated such that it is not in receipt of a network control channel;
- b) the MES shall be powered-on;
- c) an attempt shall be made, using normal user operational procedures, to initiate a call;
- d) the appropriate network control channel(s) shall be activated and a call shall be initiated using normal user operational procedures;
- e) the appropriate network control channel(s) shall then be deactivated;
- f) an attempt shall be made, using normal user operational procedures, to initiate a call;
- g) the appropriate network control channel(s) shall be reactivated and a call shall be initiated using normal user operational procedures.

Throughout this procedure, the transmission state of the MES shall be monitored.

The results obtained shall be compared to the limits in clause 4.2.4.3 in order to prove compliance with the requirement.

If there is a handover function in the MES (to allow change of frequency channel during a call), this function shall be disabled.

The transmitted carrier shall be modulated by a test signal as specified in clause 5.2.1.4.2.2.

In the test equipment, the spectrum analyser noise floor shall be at least 6 dB below the appropriate limits given in either table 3 or table 3a as declared by the applicant.

The measurements are performed with the radiated or with the conducted method according to the cases defined in clause 5.2.1.4.4.

For measurements of radiated unwanted emissions, clause 5.2.1.4.5 applies.

For measurements of conducted unwanted emissions, clause 5.2.1.4.6 applies.

5.2.2.2 Peak measurement

In the case of peak measurement, the spectrum analyser shall be set in sweep mode and shall be operated under the following conditions:

- frequency sweep: as required for frequency range to be assessed;
- resolution bandwidth: measurement bandwidth specified in either table 3 or 3a as declared by the applicant;
- video bandwidth: at least three times the measurement bandwidth;
- averaging: no;
- peak hold: yes.

The sweep time shall be the shortest possible time consistent with proper calibration and ease of operation.

The spectrum analyser shall be stepped over the frequency ranges specified in either table 3 or table 3a as declared by the applicant for peak measurement.

The results obtained shall be compared to the limits in clause 4.2.1.2 in order to prove compliance with the requirement.

5.2.2.3 Average measurement

In the case of average measurement, the spectrum analyser shall be set in sweep mode and shall be operated under the following conditions:

- frequency sweep: as required for frequency range to be assessed;
- resolution bandwidth: measurement bandwidth specified in either table 3 or 3a as declared by the applicant;
- video bandwidth: equal to the measurement bandwidth;
- averaging: yes;
- peak hold: no.

The measurement time shall be such that the difference of the measured levels, averaged over subsequent measurement samples, is less than 1 dB.

For a MES operating in a non-continuous carrier mode, the measurement shall be performed over the active part of the transmitted bursts. The total sample time used for measurement shall be not less than 40 % of the duration of the active part of the transmitted burst. The measurement shall be made over the random part of the burst, excluding any preambles or synchronization sequences.

The spectrum analyser shall be stepped over the frequency ranges specified in either table 3 or 3a as declared by the applicant for average measurement.

5.2.5.3.3 Test requirements

During and after test procedure step a), the MES shall be in power-off state.

During and after test procedure step b), no transmissions shall occur (carrier-off state).

During and after test procedure step c), no transmissions shall occur (carrier-off state).

After test procedure step d), the MES shall be transmitting (carrier-on state).

Within 30 s of test procedure step e), MES transmissions shall cease (carrier-off state).

During and after test procedure step f), no transmissions shall occur (carrier-off state).

After test procedure step g), the MES shall be transmitting (carrier-on state).

5.2.5.4 Network control reception

5.2.5.4.1 Transmission disable/enable

5.2.5.4.1.1 Method of test

The MES shall be sent transmission enable and transmission disable commands. Attempts shall be made to initiate calls using normal user operational procedures. The transmitting state of the MES shall be monitored to ensure compliance with the test requirements.

The method of enabling the MES in steps (d) and (g) of the test procedure shall be declared by the manufacturer. The declared method shall conform to the requirements defined in clause 4.2.4.4.1.

The environmental test conditions are given in clause 5.1.

5.2.5.4.1.2 Test procedure

The MES shall be situated in an environment where receipt of the appropriate network control channel(s) and where transmission of appropriate NCF commands is controlled by the test laboratory:

- a) the appropriate network control channel(s) shall be activated, the MES shall be powered-on, and a call shall be initiated using normal user operational procedures;
- b) the NCF shall transmit an appropriate transmission disable command to the MES;
- c) whilst the disable command applies, an attempt shall be made to initiate a call using normal user operational procedures;
- d) the MES shall be enabled by performing the procedure declared by the manufacturer and a call shall be initiated using normal user operational procedures;
- e) the MES shall be set to a carrier-off state, and an NCF command to disable transmissions shall be sent to the MES;
- f) whilst the disable command applies, an attempt shall be made to initiate a call using normal user operational procedures;
- g) the MES shall be enabled by performing the procedure declared by the manufacturer and a call shall be initiated using normal user operational procedures.

Throughout this procedure, the transmission state of the MES shall be monitored.

The results obtained shall be compared to the limits in clause 4.2.4.4.1 in order to prove compliance with the requirement.

The results obtained shall be compared to the limits in clause 4.2.1.2 in order to prove compliance with the requirement.

5.2.2.4 Test requirements

For measurements of radiated unwanted emissions of the MES, the measured values shall in no case exceed the limits given in either table 3 or 3a as declared by the applicant.

For measurements of conducted unwanted emissions of the MES, the measured values plus the maximum antenna gain shall in no case exceed the limits given in either table 3 or table 3a as declared by the applicant.

5.2.3 Unwanted emissions within the band 1 626,5 MHz to 1 660,5 MHz and the band 1 624,5 MHz to 1 626,5 MHz and 1 660,5 MHz to 1 662,5 MHz and within the band 1 668,0 MHz to 1 675,0 MHz and the band 1 666,0 MHz to 1 668,0 MHz and 1 675,0 MHz to 1 677,0 MHz (carrier-on state)

5.2.3.1 Method of test

This test shall be carried out for the minimum and for the maximum MES transmit frequency within each of the MES transmit bands for which the MES is designed to operate, as specified by the applicant.

NOTE: For an MES capable of transmitting in both sub-band 1 or sub-band 2 as defined in table 1, this will require the minimum and maximum transmit frequencies in both sub-bands to be tested.

If the MES supports multiple transmission formats, each of the relevant transmission formats shall be tested at each frequency.

The transmit frequencies and the transmission formats used for the test shall be entered in the test report.

The environmental test conditions are given in clause 5.1.

For each test, the MES shall be set to transmit (carrier-on state) on one of the specified transmitting frequencies to be tested and in one of the specified transmission formats to be tested and shall be set to transmit at its maximum power for that transmit frequency and transmission format, by means of the STE or by another test facility provided by the applicant.

If there is a handover function in the MES (to allow change of frequency channel during a call), this function shall be disabled.

The transmitted carrier shall be modulated by a test signal at maximum rate as specified in clause 5.2.1.4.2.2.

In the test equipment, the spectrum analyser noise floor shall be at least 6 dB below the appropriate limits given in tables 3, 3a, 4a and 4b.

The measurements are performed with the radiated or with the conducted method according to the cases defined in clause 5.2.1.4.4.

For measurements of radiated unwanted emissions, clause 5.2.1.4.5 applies.

For measurements of conducted unwanted emissions, clause 5.2.1.4.6 applies.

5.2.5.4.1.3 Test requirements

After test procedure step a), the MES shall be transmitting (carrier-on state).

During test procedure step b), within 1 s of receipt of the transmission disable command by the MES, the MES transmissions shall cease (carrier-off state).

During and after test procedure step c), only initial burst transmissions shall occur.

After test procedure step d), the MES shall be transmitting (carrier-on state).

During and after test procedure steps e) and f), only initial burst transmissions shall occur.

After test procedure step g), the MES shall be transmitting (carrier-on state).

Each initial burst transmission sequence shall have a total carrier-on time that is less than one second and the total carrier-on time for repeated initial bursts shall not exceed 1 % of the time.

5.2.5.4.2 Transmit frequency control

5.2.5.4.2.1 Method of test

The nominated bandwidth of the MES shall be monitored relative to the carrier frequency commanded, and relative to the operational frequency range(s) for the MES specified by the applicant.

The environmental test conditions are given in clause 5.1.

5.2.5.4.2.2 Test procedure

~~This~~ test shall be carried out at least twice, once for the minimum and once for the maximum MES transmit frequency for which the MES is designed to operate, as specified by the applicant.

Where available, two additional transmit frequencies shall also be tested. These frequencies shall be equally spaced between the minimum and maximum frequencies. The commanded transmit frequencies used for the test shall be entered in the test report.

The MES shall be situated in an environment where receipt of a network control channel and of NCF commands is controlled by the test laboratory:

- a) the appropriate network control channel(s) shall be activated and the MES powered-on;
- b) an appropriate NCF control message shall be sent, commanding the MES to set its carrier frequency to one of the transmit frequencies to be tested;
- c) the test shall be repeated for the other transmit frequencies to be tested.

The carrier mask for the transmit frequency under test shall be monitored on a spectrum analyser, using the procedures given in clause 5.2.3.

The results obtained shall be compared to the limits in clause 4.2.4.4.2 in order to prove compliance with the requirement.

5.2.5.4.2.3 Test requirements

The MES shall set the centre frequency of its transmission according to the NCF command.

The entire nominated bandwidth for each transmit frequency tested shall be contained completely within the operational frequency range(s) specified by the applicant.

5.2.3.2 Measurement method

The spectrum analyser shall be set in sweep mode and shall be operated under the following conditions:

- frequency sweep: as required for frequency range to be assessed;
- resolution bandwidth: measurement bandwidth specified in tables 3, 3a, 4a and 4b;
- video bandwidth: equal to the measurement bandwidth;
- averaging: yes;
- peak hold: no.

The measurement time should be such that the difference of the measured levels, averaged over subsequent measurement samples, is less than 1 dB.

For a MES operating in a non-continuous carrier mode, the measurement shall be performed over the active part of the transmitted bursts. The total sample time used for measurement shall be not less than 40 % of the duration of the active part of the transmitted burst. The measurement shall be made over the random part of the burst, excluding any preambles or synchronization sequences.

For an MES capable of transmitting in the sub-band 1 frequency band as defined in table 1, each of the transmit frequencies to be used for the test, measurements shall be made over the frequency ranges from 1 624,5 MHz to $f_c - B_n / 2$ and from $f_c + B_n / 2$ to 1 662,5 MHz, $f_c - B_n / 2$ being the lower boundary frequency of the nominated bandwidth for the transmit frequency being tested, and $f_c + B_n / 2$ being the upper boundary frequency of the nominated bandwidth for the transmit frequency being tested.

For an MES capable of transmitting in the sub-band 2 frequency band as defined in table 1, each of the transmit frequencies to be used for the test, measurements shall be made over the frequency ranges from 1 666,0 MHz to $f_c - B_n / 2$ and from $f_c + B_n / 2$ to 1 677,0 MHz, $f_c - B_n / 2$ being the lower boundary frequency of the nominated bandwidth for the transmit frequency being tested, and $f_c + B_n / 2$ being the upper boundary frequency of the nominated bandwidth for the transmit frequency being tested.

The results obtained shall be compared to the limits in clause 4.2.2.2 in order to prove compliance with the requirement.

5.2.3.3 Test requirements

For measurements of radiated unwanted emissions of the MES, the measured values shall in no case exceed the limits given in tables 3, 3a, 4a and 4b over the frequency range 1 624,5 MHz to 1 662,5 MHz and 1 666,0 MHz to 1 677,0 MHz.

For measurements of conducted unwanted emissions, the measured values plus the maximum antenna gain, shall in no case exceed the limits given in tables 3, 3a 4a and 4b over the frequency range 1 624,5 MHz to 1 662,5 MHz and 1 666,0 MHz to 1 677,0 MHz.

5.2.4 Unwanted emissions in carrier-off state

5.2.4.1 Method of test

The MES shall be switched-on and set in the carrier-off state.

If there is a periodic automatic transmission of bursts (e.g. for location updating), the STE shall provide a means to inhibit it, or to trigger the measurement in order to analyse only the non-transmitting periods.

The environmental test conditions are given in clause 5.1.

In the test equipment, the spectrum analyser noise floor shall be at least 6 dB below the appropriate limits given in table 5.

The measurements are performed with the radiated or with the conducted method according to the cases defined in clause 5.2.1.4.4.

5.2.5.5 Fellow radio stations in a dual-mode or multimode terminal

5.2.5.5.1 Method of test

The MES shall be placed in a suitable environment which isolates the MES from the networks of its fellow modes. It shall be verified that no transmissions are made from any of the fellow modes.

5.2.5.5.2 Test procedure

The MES shall be placed in an environment where the receipt of network control channel(s) of all the fellow modes is prevented. For each fellow mode radio station, an attempt shall be made, using normal user operational procedures, to initiate a call. Throughout this procedure, the transmission state of the MES shall be monitored.

The results obtained shall be compared to the limits in clause 4.2.4.5.2 in order to prove compliance with the requirement.

5.2.5.5.3 Test requirements

Throughout the test procedure, no transmission shall occur.

5.2.6 Equipment identity

5.2.6.1 Method of test

It is impracticable to test that each MES has a unique MES identification code (MIC) within its S-PCN, and that it is not possible for the user to alter the MIC using any normally accessible procedure. Consequently, no tests are given for these requirements.

The transmissions of the MES in response to an NCF command to send its identification code shall be monitored and the identification code received shall be verified.

The environmental test conditions are given in clause 5.1.

5.2.6.2 Test procedure

The MES shall be situated in an environment where receipt of a network control channel and of NCF commands is controlled by the test laboratory:

- a) the appropriate network control channel(s) shall be activated and the MES powered-on;
- b) an appropriate NCF control message shall be sent, commanding the MES to transmit its MES identification code;
- c) the message sent by the MES shall be analysed.

The results obtained shall be compared to the limits in clause 4.2.5.2 in order to prove compliance with the requirement.

5.2.6.3 Test requirements

The MES identification code in the message sent in clause 5.2.6.2 step c) shall be verified against that supplied by the applicant for the MES.

For measurements of radiated unwanted emissions, clause 5.2.1.4.5 applies.

For measurements of conducted unwanted emissions, clause 5.2.1.4.6 applies.

5.2.4.2 Measurement method

The spectrum analyser shall be set in sweep mode and shall be operated under the following conditions:

- frequency sweep: as required for frequency range to be assessed;
- resolution bandwidth: measurement bandwidth specified in table 5;
- video bandwidth: at least 3 times the measurement bandwidth;
- averaging: no;
- peak hold: yes.

The sweep time shall be the shortest possible time consistent with proper calibration and ease of operation.

The spectrum analyser shall be stepped over the frequency ranges specified.

The results obtained shall be compared to the limits in clause 4.2.3.2 in order to prove compliance with the requirement.

5.2.4.3 Test requirements

For measurements of radiated unwanted emissions of the MES, the measured values shall in no case exceed the limits given in table 5.

For measurements of conducted unwanted emissions of the MES, the measured values plus the maximum antenna gain shall in no case exceed the limits given in table 5.

5.2.5 MES Control and Monitoring Functions (CMF)

5.2.5.1 Self-monitoring functions/Processor monitoring

As it is considered impracticable to artificially induce processor faults in an MES, no test is given for the processor monitoring function.

5.2.5.2 Self-monitoring functions/Transmit frequency generation sub-system monitoring

As it is considered impracticable to artificially induce transmit frequency generation sub-system faults in an MES, no test is given for the transmit frequency generation sub-system monitoring function.

5.2.5.3 Network control authorization

5.2.5.3.1 Method of test

The MES shall be cycled through its power-on and power-off states. Attempts shall be made to initiate calls using normal user operational procedures. The transmitting state of the MES shall be monitored to ensure compliance with the test requirements.

The environmental test conditions are given in clause 5.1.

~~Annex A (normative): The EN Requirements Table (EN-RT)~~

~~Notwithstanding the provisions of the copyright clause related to the text of the present document, ETSI grants that users of the present document may freely reproduce the EN-RT proforma in this annex so that it can be used for its intended purposes and may further publish the completed EN-RT.~~

~~The EN Requirements Table (EN-RT) serves a number of purposes, as follows:~~

- ~~it provides a tabular summary of all the requirements;~~
- ~~it shows the status of each EN Requirement, whether it is essential to implement in all circumstances (Mandatory), or whether the requirement is dependent on the applicant having chosen to support a particular optional service or functionality (Optional). In particular it enables the EN Requirements associated with a particular optional service or functionality to be grouped and identified;~~
- ~~when completed in respect of a particular equipment it provides a means to undertake the static assessment of conformity with the EN.~~

~~The EN-RT is placed in an annex of the EN in order that it may be photocopied and used as a proforma.~~

Table A.1: EN Requirements Table (EN-RT)

EN-Reference		EN-301-681				Comment
No.	Reference	EN-Requirement (see note)	Status			
1	4.2.1	Unwanted emissions outside the band 1 626,5 MHz to 1 660,5 MHz (carrier-on state)	M			
2	4.2.2	Unwanted emissions within the band 1 626,5 MHz to 1 660,5 MHz and the band 1 660,5 MHz to 1 662,5 MHz (carrier-on state)	M			
4	4.2.3	Unwanted emissions in carrier-off state	M			
5	4.2.4.1	Processor monitoring	M			
6	4.2.4.2	Transmit frequency generation subsystem monitoring	M			
7	4.2.4.3	Network control authorization	M			
8	4.2.4.4.1	Transmission disable/enable	M			
9	4.2.4.4.2	Transmit frequency control	M			
10	4.2.4.5	Fellow radio stations in a dual-mode or multimode terminal	⊖			
11	4.2.5	Equipment identity	M			
12	4.2.6	Protection of the radio astronomy service operation in the band 1 660 MHz to 1 660,5 MHz	M			

~~NOTE: These EN Requirements are justified under article 3.2 of the R&TTE Directive.~~

5.2.5.3.2 Test procedure

The MES shall be situated in an environment where receipt of the appropriate network control channel(s) is controlled by the test laboratory:

- a) the MES shall be in a power-off state, situated such that it is not in receipt of a network control channel;
- b) the MES shall be powered-on;
- c) an attempt shall be made, using normal user operational procedures, to initiate a call;
- d) the appropriate network control channel(s) shall be activated and a call shall be initiated using normal user operational procedures;
- e) the appropriate network control channel(s) shall then be deactivated;
- f) an attempt shall be made, using normal user operational procedures, to initiate a call;
- g) the appropriate network control channel(s) shall be reactivated and a call shall be initiated using normal user operational procedures.

Throughout this procedure, the transmission state of the MES shall be monitored.

The results obtained shall be compared to the limits in clause 4.2.4.3 in order to prove compliance with the requirement.

5.2.5.3.3 Test requirements

During and after test procedure step a), the MES shall be in power-off state.

During and after test procedure step b), no transmissions shall occur (carrier-off state).

During and after test procedure step c), no transmissions shall occur (carrier-off state).

After test procedure step d), the MES shall be transmitting (carrier-on state).

Within 30 s of test procedure step e), MES transmissions shall cease (carrier-off state).

During and after test procedure step f), no transmissions shall occur (carrier-off state).

After test procedure step g), the MES shall be transmitting (carrier-on state).

5.2.5.4 Network control reception

5.2.5.4.1 Transmission disable/enable

5.2.5.4.1.1 Method of test

The MES shall be sent transmission enable and transmission disable commands. Attempts shall be made to initiate calls using normal user operational procedures. The transmitting state of the MES shall be monitored to ensure compliance with the test requirements.

The method of enabling the MES in steps (d) and (g) of the test procedure shall be declared by the manufacturer. The declared method shall conform to the requirements defined in clause 4.2.4.4.1.

The environmental test conditions are given in clause 5.1.

Key to columns:

No	Table entry number,
Reference	Clause reference number of conformance requirement within the present document,
Status	Status of the entry as follows: M – Mandatory, shall be implemented under all circumstances, O – Optional, may be provided, but if provided shall be implemented in accordance with the requirements,
Comments	To be completed as required.

5.2.5.4.1.2 Test procedure

The MES shall be situated in an environment where receipt of the appropriate network control channel(s) and where transmission of appropriate NCF commands is controlled by the test laboratory:

- a) the appropriate network control channel(s) shall be activated, the MES shall be powered-on, and a call shall be initiated using normal user operational procedures;
- b) the NCF shall transmit an appropriate transmission disable command to the MES;
- c) whilst the disable command applies, an attempt shall be made to initiate a call using normal user operational procedures;
- d) the MES shall be enabled by performing the procedure declared by the manufacturer and a call shall be initiated using normal user operational procedures;
- e) the MES shall be set to a carrier-off state, and an NCF command to disable transmissions shall be sent to the MES;
- f) whilst the disable command applies, an attempt shall be made to initiate a call using normal user operational procedures;
- g) the MES shall be enabled by performing the procedure declared by the manufacturer and a call shall be initiated using normal user operational procedures.

Throughout this procedure, the transmission state of the MES shall be monitored.

The results obtained shall be compared to the limits in clause 4.2.4.4.1 in order to prove compliance with the requirement.

5.2.5.4.1.3 Test requirements

After test procedure step a), the MES shall be transmitting (carrier-on state).

During test procedure step b), within 1 s of receipt of the transmission disable command by the MES, the MES transmissions shall cease (carrier-off state).

During and after test procedure step c), only initial burst transmissions shall occur.

After test procedure step d), the MES shall be transmitting (carrier-on state).

During and after test procedure steps e) and f), only initial burst transmissions shall occur.

After test procedure step g), the MES shall be transmitting (carrier-on state).

Each initial burst transmission sequence shall have a total carrier-on time that is less than one second and the total carrier-on time for repeated initial bursts shall not exceed 1 % of the time.

5.2.5.4.2 Transmit frequency control

5.2.5.4.2.1 Method of test

The nominated bandwidth of the MES shall be monitored relative to the carrier frequency commanded, and relative to the operational frequency range(s) for the MES specified by the applicant.

The environmental test conditions are given in clause 5.1.

5.2.5.4.2.2 Test procedure

For an MES capable of transmitting in the frequency band 1 626,5 0 MHz to 1 660,5 MHz this test shall be carried out at least twice, once for the minimum and once for the maximum MES transmit frequency for which the MES is designed to operate, as specified by the applicant.

~~Annex B~~ (informative): Bibliography

- ETSI EN 301 489-20: "Electromagnetic compatibility and Radio spectrum Matters (ERM); ElectroMagnetic Compatibility (EMC) standard. For radio equipment and service; Part 20: Specific conditions for Mobile Earth Stations (MES) used in the Mobile Satellite Services (MSS)".
- EN 55022: "Limits and methods of measurements of radio interferers characteristics of information technology equipment".
- IEC 60068-2-1: "Environmental testing - Part 2: Tests. Tests A: Cold".
- IEC 60068-2-2: "Environmental testing - Part 2: Tests. Tests B: Dry heat".
- IEC 60068-2-64: "Environmental testing - Part 2: Test methods - Test Fh: Vibration, broad-band random (digital control) and guidance".
- Construction of an Anechoic Chamber: Technical Report ZVEI AK-R 90/20.
- ITU-R Recommendation M.1480: "Essential technical requirements of mobile earth stations of geostationary mobile-satellite systems that are implementing the GMPCS-Memorandum of Understanding arrangements in parts of the band 1 - 3 GHz".

For an MES capable of transmitting in the frequency band 1 668,0 MHz to 1 675,0 MHz, this test shall be carried out at least twice, once for the minimum and once for the maximum MES transmit frequency for which the MES is designed to operate, as specified by the applicant.

Where available, two additional transmit frequencies shall also be tested. These frequencies shall be equally spaced between the minimum and maximum frequencies. The commanded transmit frequencies used for the test shall be entered in the test report.

The MES shall be situated in an environment where receipt of a network control channel and of NCF commands is controlled by the test laboratory:

- a) the appropriate network control channel(s) shall be activated and the MES powered-on;
- b) an appropriate NCF control message shall be sent, commanding the MES to set its carrier frequency to one of the transmit frequencies to be tested;
- c) the test shall be repeated for the other transmit frequencies to be tested.

The carrier mask for the transmit frequency under test shall be monitored on a spectrum analyser, using the procedures given in clause 5.2.3.

The results obtained shall be compared to the limits in clause 4.2.4.4.2 in order to prove compliance with the requirement.

5.2.5.4.2.3 Test requirements

The MES shall set the centre frequency of its transmission according to the NCF command.

The entire nominated bandwidth for each transmit frequency tested shall be contained completely within the operational frequency range(s) specified by the applicant.

5.2.5.5 Fellow radio stations in a dual-mode or multimode terminal

5.2.5.5.1 Method of test

The MES shall be placed in a suitable environment which isolates the MES from the networks of its fellow modes. It shall be verified that no transmissions are made from any of the fellow modes.

5.2.5.5.2 Test procedure

The MES shall be placed in an environment where the receipt of network control channel(s) of all the fellow modes is prevented. For each fellow mode radio station, an attempt shall be made, using normal user operational procedures, to initiate a call. Throughout this procedure, the transmission state of the MES shall be monitored.

The results obtained shall be compared to the limits in clause 4.2.4.5.2 in order to prove compliance with the requirement.

5.2.5.5.3 Test requirements

Throughout the test procedure, no transmission shall occur.

5.2.6 Equipment identity

5.2.6.1 Method of test

It is impracticable to test that each MES has a unique MES identification code (MIC) within its S-PCN, and that it is not possible for the user to alter the MIC using any normally accessible procedure. Consequently, no tests are given for these requirements.

The transmissions of the MES in response to an NCF command to send its identification code shall be monitored and the identification code received shall be verified.

~~Annex C~~ (informative): The EN title in the official languages

Language	EN title
Danish	Satellitjordstationer og systemer (SES); Harmoniseret EN for mobile jordstationer (MESs) for geostationære mobile satellit systemer, omfattende håndportable jordstationer, til personlige kommunikationsnetværk via satellit (S-PCN) i 1,5/1,6 GHz båndene under den mobile satellittjeneste (MSS), og som dækker de væsentlige krav i R&TTE direktivets artikel 3.2
Dutch	Satelliet grondstations en systemen (SES); Geharmoniseerde EN voor Mobile grondstations (MESs) van geostationaire mobiele satellitsystemen, inclusief handsets voor Satellite Personal Communications Networks (S-PCN) in the banden 1,5/1,6 GHz als onderdeel van de mobiele satellite dienst (MSS) welke invulling geeft aan de wezenlijke vereisten, neergelegd in artikel 3.2 van de R&TTE Directive
English	Satellite Earth Stations and Systems (SES); Harmonized EN for Mobile Earth Stations (MESs) of Geostationary mobile satellite systems, including handheld earth stations, for Satellite Personal Communications Networks (S-PCN) in the 1,5/1,6 GHz bands under the Mobile Satellite Service (MSS) covering essential requirements under article 3.2 of the R&TTE directive
Finnish	Satelliittimaa-asetmat ja järjestelmät (SES); Yhdenmukaistettu standardi (EN) geostationäärisen satelliittijärjestelmän siirtävän liikenteen maa-asetmille (MES), mukaan lukien kannettavat maa-asetmat, henkilökohtaisille satelliittiviestintäverkoille (S-PCN) 1,5/1,6 GHz:n taajuusalueilla siirtävän liikenteen satelliittijärjestelmässä (MSS), jotka kattavat R&TTE direktiivin artikla 3.2 mukaiset olennaiset vaatimukset
French	Stations terriennes et systèmes à Satellites (SES); Norme européenne (EN) harmonisée s'appliquant aux stations terriennes mobiles (MES) des systèmes à satellites géostationnaires pour mobiles, y compris aux stations terriennes portables, destinées aux réseaux de communications personnelles par satellites (S-PCN) fonctionnant dans les bandes de fréquences à 1,5 / 1,6 GHz du Service Mobile par Satellite (SMS), et permettant de satisfaire à l'exigence essentielle de l'article 3.2 de la directive R&TTE
German	Satelliten-Erdfunkstellen und Systeme (SES); Harmonisierte Europäische Norm (EN) für mobile Erdfunkstellen (MES) einschließlich Handfunkgeräte in geostationären mobilen satellitengestützten Funksystemen für private satellitengestützte Kommunikationsnetze (S-PCN) in den Frequenzbändern 1,5/1,6 GHz für den Einsatz im mobilen satellitengestützten Funkdienst (MSS) mit wesentlichen Anforderungen nach R&TTE-Richtlinie Artikel 3.2
Greek	Δορυφορικοί Επιγείιοι Σταθμοί και Συστήματα (SES) - Εναρμονισμένο EN που αφορούν Κινητούς Επιγείους Σταθμούς (MESs) συστημάτων γεωστατικών δορυφόρων κινητών επικοινωνιών, συμπεριλαμβανομένων των χειρόφερτων επιγείων σταθμών για Δορυφορικά Δίκτυα Προσωπικών Επικοινωνιών (S-PCN) στις ζώνες 1,5/1,6 GHz στο πλαίσιο της Κινητής Δορυφορικής Υπηρεσίας (MSS) για την κάλυψη των ουσιαστών απαιτήσεων του άρθρου 3.2 της Οδηγίας R&TTE
Italian	Stazioni e sistemi satellitari di terra (SES); Norma armonizzata per Stazioni di terra mobili (MES) di sistemi satellitari mobili geostazionari, incluse stazioni di terra palmari, per reti di comunicazione privata satellitare (S-PCN) nelle bande 1,5/1,6GHz nel Servizio Satellitare Mobile (MSS), relativa ai requisiti essenziali dell'articolo 3.2 della direttiva R&TTE.
Portuguese	Sistemas e Estações Terrenas de Satélite (SES); EN harmonizada para Estações Terrenas Móveis do sistema móvel de satélites Geoestacionários, incluindo estações portáteis para redes de comunicações pessoais por satélite (S-PCN) nas bandas de 1,5/1,6 GHz do serviço móvel de satélite (MSS), cobrindo os requisitos essenciais no âmbito do Artigo 3.2 da Directiva R&TTE.
Spanish	Estaciones Terrenas y Sistemas Satélite (SES); EN armonizada para Estaciones Terrestres Móviles (MESs) de sistemas satélite móviles geoestacionarios, incluidas estaciones terrenas portátiles, para Redes de Comunicación Personal por Satélite (S-PCN) en las bandas 1,5/1,6 GHz del Servicio Satélite Móvil (MSS) cubriendo requisitos esenciales según el artículo 3.2 de la directiva de R&TTE
Swedish	Satellitjordstationer och System (SES); Harmoniserad EN för mobila jordstationer (MESs) i geostationära mobilsatellitsystem, omfattande handburna jordstationer för privata satelliitkommunikationsnät (S-PCN) i 1,5/1,6 GHz-banden i den mobila satellittjänsten (MSS) omfattande väsentliga krav enligt artikel 3.2 i R&TTE-direktivet

The environmental test conditions are given in clause 5.1.

5.2.6.2 Test procedure

The MES shall be situated in an environment where receipt of a network control channel and of NCF commands is controlled by the test laboratory:

- a) the appropriate network control channel(s) shall be activated and the MES powered-on;
- b) an appropriate NCF control message shall be sent, commanding the MES to transmit its MES identification code;
- c) the message sent by the MES shall be analysed.

The results obtained shall be compared to the limits in clause 4.2.5.2 in order to prove compliance with the requirement.

5.2.6.3 Test requirements

The MES identification code in the message sent in clause 5.2.6.2 step c) shall be verified against that supplied by the applicant for the MES.

~~History~~

Document history		
V1.2.1	January 2001	Publication
V1.3.1	May 2002	Public Enquiry PE 20020906: 2002-05-08 to 2002-09-06
V1.3.2	October 2002	Vote V 20021220: 2002-10-21 to 2002-12-20
V1.3.2	January 2003	Publication

Annex A (normative): HS Requirements and conformance Test specifications Table (HS-RTT)

The HS Requirements and conformance Test specifications Table (HS-RTT) in table A.1 serves a number of purposes, as follows:

- it provides a statement of all the requirements in words and by cross reference to (a) specific clause(s) in the present document or to (a) specific clause(s) in (a) specific referenced document(s);
- it provides a statement of all the test procedures corresponding to those requirements by cross reference to (a) specific clause(s) in the present document or to (a) specific clause(s) in (a) specific referenced document(s);
- it qualifies each requirement to be either:
 - Unconditional: meaning that the requirement applies in all circumstances; or
 - Conditional: meaning that the requirement is dependant on the manufacturer having chosen to support optional functionality defined within the schedule.
- in the case of Conditional requirements, it associates the requirement with the particular optional service or functionality;
- it qualifies each test procedure to be either:
 - Essential: meaning that it is included with the Essential Radio Test Suite and therefore the requirement shall be demonstrated to be met in accordance with the referenced procedures;
 - Other: meaning that the test procedure is illustrative but other means of demonstrating compliance with the requirement are permitted.

Table A 1: HS Requirements and conformance Test specifications Table (HS-RTT)

Harmonized Standard EN 301 681						
The following requirements and test specifications are relevant to the presumption of conformity under the article 3.2 of the R&TTE Directive [1]						
Requirement			Requirement Conditionality		Test Specification	
No	Description	Reference- Clause No	U/C	Condition	E/O	Reference- Clause No
1	Unwanted emissions outside the band 1 626,5 MHz to 1 660,5 MHz and outside the band 1 668,0 MHz to 1 675,0 MHz (carrier-on state)	4.2.1	U		E	5.2.2 5.2.3
2	Unwanted emissions within the band 1 626,5 MHz to 1 660,5 MHz and the band 1 660,5 MHz to 1 662,5 MHz and within the bands 1 666,0 MHz to 1 668,0 MHz, 1 668,0 MHz to 1 675,0 MHz and 1 675,0 MHz to 1 677,0 MHz (carrier-on state)	4.2.2	U		E	5.2.3
3	Unwanted emissions in carrier-off state	4.2.3	U		E	5.2.4
4	Processor monitoring	4.2.4.1	U		E	5.2.5.1
5	Transmit frequency generation subsystem monitoring	4.2.4.2	U		E	5.2.5.2
6	Network control authorization	4.2.4.3	U		E	5.2.5.3
7	Transmission disable/enable	4.2.4.4.1	U		E	5.2.5.4.1
8	Transmit frequency control	4.2.4.4.2	U		E	5.2.5.4.2
9	Fellow radio stations in a dual-mode or multimode terminal	4.2.4.5	C	Optional test requirement if the MES has implemented dual mode or multimode functionality	E	5.2.5.5
10	Equipment identity	4.2.5	U		E	5.2.6
11	Protection of the radio astronomy service operation in the band 1 660 MHz to 1 660,5 MHz and in the band 1 668 MHz to 1 670 MHz	4.2.6	U		E	5.2.5.3

Key to columns:**Requirement:**

No A unique identifier for one row of the table which may be used to identify a requirement or its test specification.

Description A textual reference to the requirement.

Clause Number Identification of clause(s) defining the requirement in the present document unless another document is referenced explicitly.

Requirement Conditionality:

I/C Indicates whether the requirement is to be *unconditionally* applicable (I) or is *conditional upon the manufacturers claimed functionality of the equipment* (C).

Condition Explains the conditions when the requirement shall or shall not be applicable for a technical requirement which is classified "conditional".

Test Specification:

E/O Indicates whether the test specification forms part of the Essential Radio Test Suite (E) or whether it is one of the Other Test Suite (O).

NOTE: All tests whether "E" or "O" are relevant to the requirements. Rows designated "E" collectively make up the Essential Radio Test Suite; those designated "O" make up the Other Test Suite; for those designated "X" there is no test specified corresponding to the requirement. The completion of all tests classified "E" as specified with satisfactory outcomes is a necessary condition for a presumption of conformity. Compliance with requirements associated with tests classified "O" or "X" is a necessary condition for presumption of conformity, although conformance with the requirement may be claimed by an equivalent test or by manufacturer's assertion supported by appropriate entries in the technical construction file.

Clause Number Identification of clause(s) defining the test specification in the present document unless another document is referenced explicitly. Where no test is specified (that is, where the previous field is "X") this field remains blank.

Annex B (informative): The EN title in the official languages

The enlargement of the European Union (EU) resulted in a requirement from the EU for a larger number of languages for the translation of the titles of Harmonized Standards and mandated ENs that are to be listed in the Official Journal to support the implementation of this legislation.

For this reason the title translation concerning the present document can be consulted via the [e-approval](#) application.

Annex C (informative): Bibliography

- ETSI EN 301 489-20: "Electromagnetic compatibility and Radio spectrum Matters (ERM); ElectroMagnetic Compatibility (EMC) standard. For radio equipment and service; Part 20: Specific conditions for Mobile Earth Stations (MES) used in the Mobile Satellite Services (MSS)".
- CENELEC EN 55022: "Limits and methods of measurements of radio interferers characteristics of information technology equipment".
- IEC 60068-2-1: "Environmental testing - Part 2: Tests. Tests A: Cold".
- IEC 60068-2-2: "Environmental testing - Part 2: Tests. Tests B: Dry heat".
- IEC 60068-2-64: "Environmental testing - Part 2: Test methods - Test Fh: Vibration, broad-band random (digital control) and guidance".
- Construction of an Anechoic Chamber: Technical Report ZVEI AK-R 90/20.
- ITU-R Recommendation M.1480: "Essential technical requirements of mobile earth stations of geostationary mobile-satellite systems that are implementing the GMPCS-Memorandum of Understanding arrangements in parts of the band 1 - 3 GHz".

History

Document history				
<u>V1.2.1</u>	<u>January 2001</u>	<u>Publication</u>		
<u>V1.3.2</u>	<u>January 2003</u>	<u>Publication</u>		
<u>V1.4.0</u>	<u>February 2011</u>	<u>Public Enquiry</u>	<u>PE 20110628:</u>	<u>2011-02-28 to 2011-06-28</u>
<u>V1.4.0</u>	<u>September 2011</u>	<u>Vote</u>	<u>V 20111118:</u>	<u>2011-09-19 to 2011-11-18</u>
<u>V1.4.1</u>	<u>November 2011</u>	<u>Publication</u>		